

Professionally approved products.

Datasheet

Stainless Steel Manual Ball Valve

RS Stock number [499-2818](#)



Features:

- Reduced-bore quarter-turn stainless steel ball valve.
- ASTM A351-CF8M cast stainless steel body, ball and spindle material 316, handle 304, RTFE ball seal
- Lockable operating lever with thermally insulating vinyl sleeve
- Blow-out proof stem with PTFE seal
- Maximum operating temperature 232°C (450°F)
- Anti-static Device (option)
- Locking device
- Thread Type – ASME B1.20.1 (NPT), DIN2999 & BS21, ISO7/1 & EN10226

Specifications:

- Attachment Type: Threaded
- Ball Material: Stainless Steel
- Body Material: Stainless Steel
- Handle Material: Stainless Steel
- Maximum Working Pressure: 68 bar
- Thread Size: 1 in
- Thread Standard: BSPP
- Threaded Connection: 1 in BSPP

Professionally approved products.

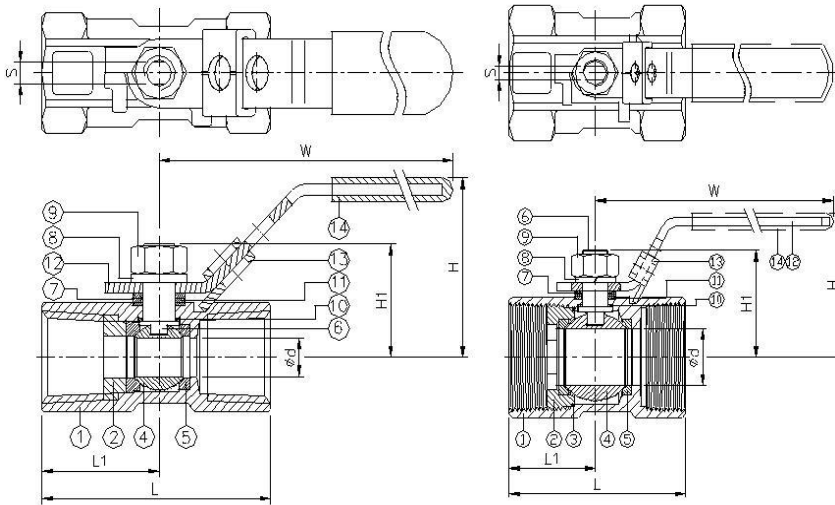


Figure 1

ITEM	PARTS	MATERIAL
1	BODY	ASTM A351-CF8M
2	RETAINER	ASTM A351-CF8M
3	BODY SEAL	PTFE
4	BALL	ASTM A351-CF8M
5	BALL SEAT	PTFE / RTFE
6	STEM	ASTM A276-316
7	FLAT WASHER	AISI 304
8	SPRING WASHER	AISI 304
9	STEM NUT	AISI 304
10	THRUST WASHER	PTFE
11	PACKING	PTFE
12	HANDLE	STAINLESS STEEL
		STAINLESS STEEL
13	LATCH LOCK	STAINLESS STEEL
14	HANDLE SLEEVE	PVC

Measurements:

DN	d	L	L1	H	H1	W	S	Torque (N-m)	Weight (kg)
25	15	71	35	56.5	36.5	111.5	6	3	0.4

All measurements given in the above table are given in mm unless otherwise stated. These measurements are for Figure 1 above.