



**Professionally approved products.**

Product Datasheet

**USB A (M) – USB B (F) gender changer 2.0**

EN

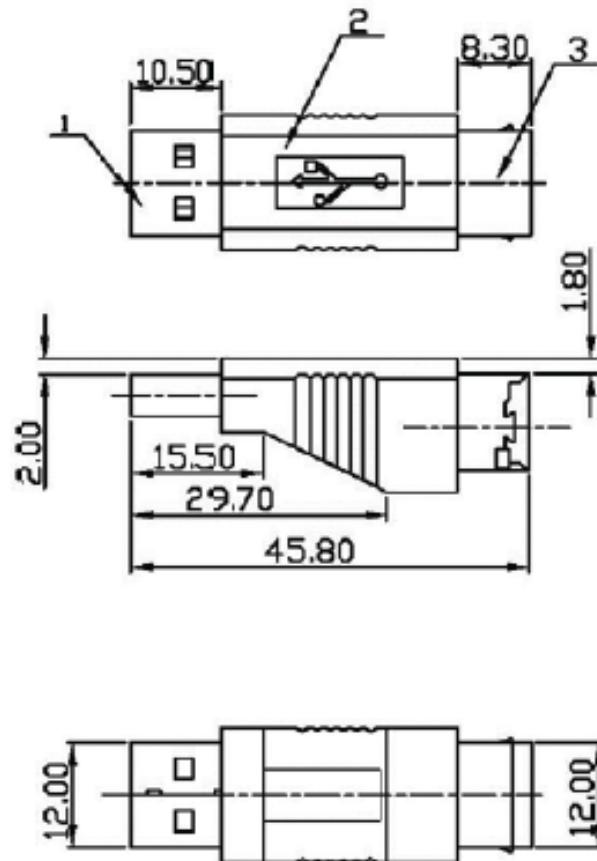


RS Stock No. 495-5358

Electronic Test:

1. Open/ Short/ Intermitte: 100%
2. Insulation resistance: 10M $\Omega$
3. Contact resistance: 5 $\Omega$
4. Hi-Pot: 300V 10MS

Dimensions:



Package:

1pcs/ PE bag