



**Professionally approved products.**

Product Datasheet

# USB A (F) – USB B (M) gender changer 2.0

EN

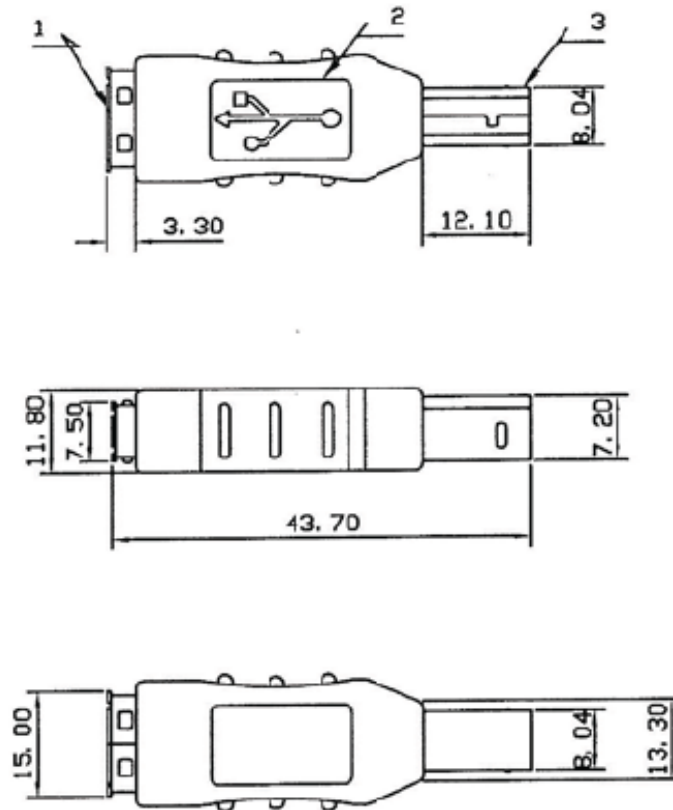


RS Stock No. 495-5342

**Electronic Test:**

1. Open/ Short/ Intermitte: 100%
2. Insulation resistance:  $10M\Omega$
3. Contact resistance:  $100\Omega$

**Dimensions:**



**Package:**

1pcs/ PE bag