

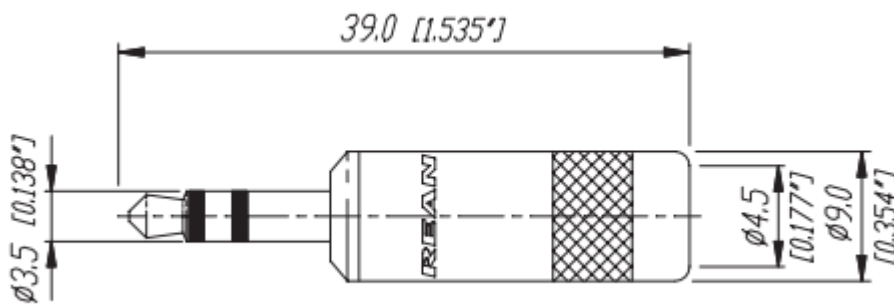
Professionally approved products.

Datasheet

Stereo Nickel Plated Jack Plug

RS Stock number [395-1119](#)

Dimensions: (mm)



Specifications

- Body Orientation: Straight
- Contact Material: Brass
- Contact Plating: Nickel
- Gender: Male
- Housing Material: Brass
- Maximum Operating Temperature: +70°C
- Minimum Operating Temperature: -20°C
- Mounting Type: Cable Mount
- Size: 3.5 mm
- Termination Method: Crimp
- Type: Jack Plug