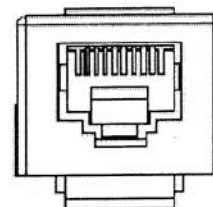
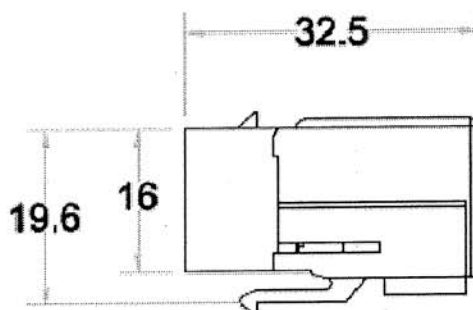
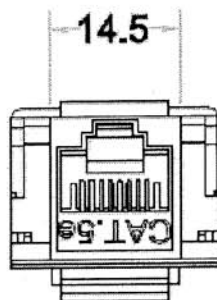
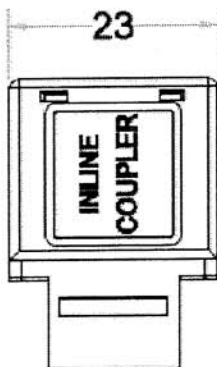


# Cat. 5e INLINE COUPLER (UTP)

REVISIONS		
DATE	LTR	DESCRIPTION
4/28/2004	A	UNSHIELDED TO SHIELDED

DIMENSIONS:m/m



**Performance:**

Meets Cat.5e EIA/TIA 568B.1 Standard.

**Materials:**

Plastic Body : Fireproof ABS UL-94V0

Plastic Cover: Fireproof ABS UL-94V0

RJ-45 Jack : 8P8C 50 micro inches gold plated

PCB : FR-4 / 1.0mm UL-94V0

**Electrical Specifications:**

Insulation Resistance : 500M ohms (min.)

Contact Resistance : 20m ohms (max.)

Current Rating : 1.5 Amps .

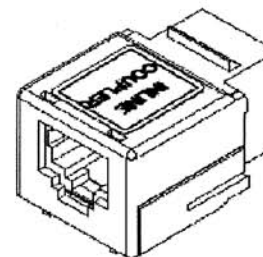
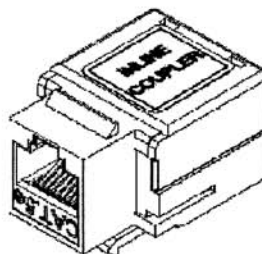
DC Resistance : 0.1 ohm (max.)

Withstanding Voltage : 1000 VAC RMS @ 60Hz / 1 min.

**Mechanical Specifications:**

RJ-45 Jack Insertion Cycle : Over 2000 Cycles (min.)

Operation Temperature : -40 ~ +70 degree / C



UNLESS OTHERWISE SPECIFIED					
TOLERANCE : ANGLES : 30°					
X.X	±0.3	NO HOLE SCALE DIMENSIONS			
X.XX	±0.15				
DRAWN BY	SANNY	SIZE	A	UNIT	MM
CHECKED BY	<i>[Signature]</i>	SCALE	10 : 1	PART NO.	360-7115
APPROVED BY	<i>[Signature]</i>	THIRD ANGLE PROJECTION		PAGE	1 OF 1
DWG NO.		ITEM NO.	E-IC-U-KT-0	DATE	04/28/2004
				REV.	A