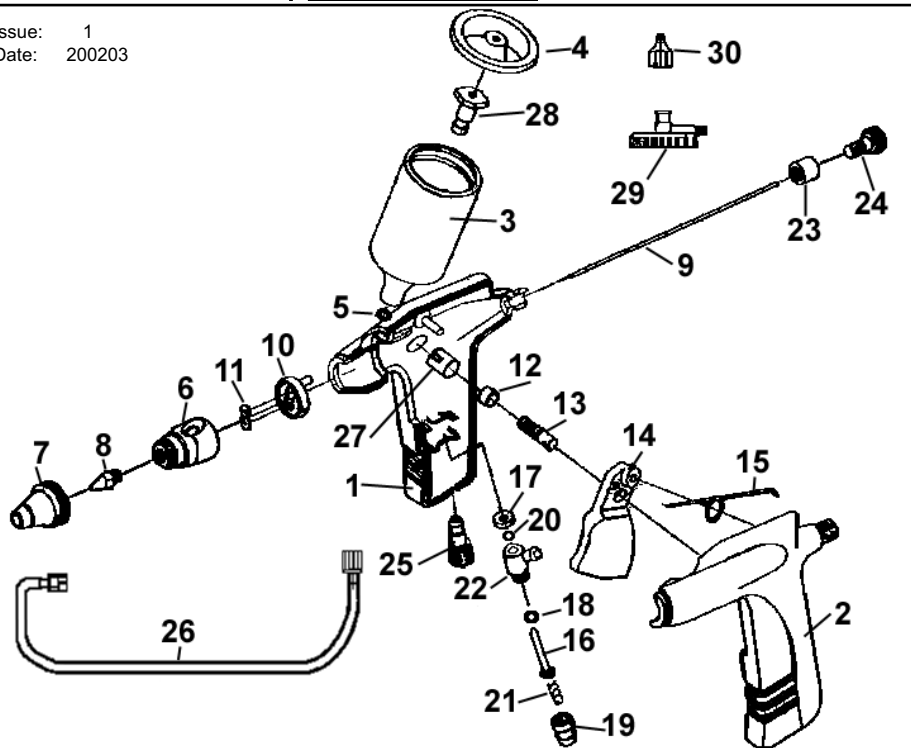


SEALEY

Professional TOOLS

PARTS DIAGRAM AND LIST FOR:
AIR BRUSH KIT
Model No: **AB931**

Issue: 1
Date: 200203



Item	Part No	Description	Item	Part No	Description	Item	Part No	Description
1	AB931/01	Housing Right	11	AB931/11	O-Ring	21	AB931/21	Spring, Plunger
2	AB931/02	Housing Left	12	AB931/12	Bushing	22	AB931/22	Housing, valve
3	AB931/03	Gravity Cup	13	AB931/13	Screw	23	AB931/23	Cap, End
4	AB931/04	Cap, Gravity Cup	14	AB931/14	Trigger	24	AB931/24	Fluid Adj. Screw
5	AB931/05	O-Ring	15	AB931/15	Spring, Trigger	25	AB931/25	Inlet
6	AB931/06	Seat, Nozzle	16	AB931/16	Plunger	26	AB931/26	Hose Assembly
7	AB931/07	Fluid Cap	17	AB931/17	Cap, Valve Upper End	27	AB931/27	Nut, Adjustment Screw
8	AB931/08	Nozzle, .03mm	18	AB931/18	O-Ring	28	AB931/28	Fluid Inlet Screw
9	AB931/09	Needle	19	AB931/19	Cap, Valve Lower End	29	AB931/29	Air Reg Valve
10	AB931/10	Cap, Nozzle Seat	20	AB931/20	O-Ring	30	AB931/30	Adaptor, Air Hose

NOTE: It is our policy to continually improve products and as such we reserve the right to alter data, specifications and component parts without prior notice. **IMPORTANT:** No liability is accepted for incorrect use of this equipment. **WARRANTY:** Guarantee is 12 months from purchase date, proof of which will be required for any claim. **INFORMATION:** For a copy of our latest catalogue and promotions, call us on 01284 757525 and leave your full name and address including your postcode.

SEALEY POWER TOOLS

Sole UK Distributor, Sealey Group, Bury St. Edmunds, Suffolk.

01284 757500

01284 703534

sales@sealey.co.uk

www.sealey.co.uk

AB931 - 1 - 200203

SEALEY

Professional TOOLS

INSTRUCTIONS FOR :
AIR BRUSH KIT
Model: **AB931**

Thank you for purchasing a Sealey Product. Manufactured to a high standard this product will, if used according to these instructions and properly maintained, give you years of trouble free performance.



IMPORTANT: PLEASE READ THESE INSTRUCTIONS CAREFULLY. NOTE THE SAFE OPERATIONAL REQUIREMENTS, WARNINGS AND CAUTIONS. USE THIS PRODUCT CORRECTLY AND WITH CARE FOR THE PURPOSE FOR WHICH IT IS INTENDED. FAILURE TO DO SO MAY CAUSE DAMAGE AND/OR PERSONAL INJURY AND WILL INVALIDATE THE WARRANTY. PLEASE KEEP INSTRUCTIONS SAFE FOR FUTURE USE.

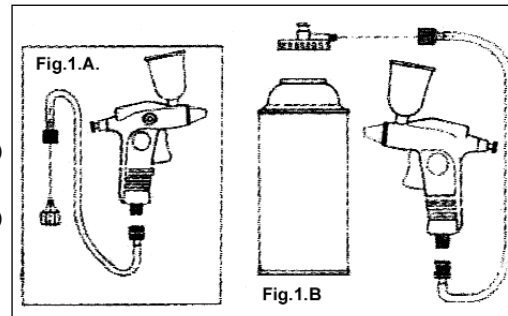
1. SAFETY INSTRUCTIONS

- WARNING!** Ensure that Health and Safety, local authority and general workshop practice regulations are adhered to when using tools.
- ✓ Ensure that the air brush and accessories are in a clean, sound condition and good working order. Take action for immediate repair or replacement of damaged parts. *Use recommended parts only. The use of unauthorised parts may be dangerous and will invalidate the warranty.*
- ✓ Ensure the air brush supply hose is not tangled, twisted or pinched.
- ✗ **DO NOT** use air brush or accessories if damaged.
- ✗ **DO NOT** operate air brush while under the influence of drugs, alcohol or intoxicating medication, or if fatigued.
- ✗ **DO NOT** direct spray against yourself, other persons or animals, electrical equipment or the machine itself.
- ✗ **DO NOT** use the air brush for a task it is not designed to perform.
- ✓ Wear approved eye protection and a suitable respirator when painting. A full range of personal safety equipment is available from your Sealey Dealer.
- ✗ **DO NOT** allow smoking or open flame in the work area.

2. ASSEMBLY

Note: Numbers in brackets refer to item numbers in the parts diagram.

- 2.1. Screw the gravity cup (3) into the top of the nozzle seat (6).
- 2.2. Screw one end of the hose assembly (26) onto the inlet (25).
- 2.3. Screw the other end of the hose assembly (26) to the air supply.
- 2.4. When using a compressor (Sealey Model No. AB900), connect the hose assembly (26) to the air hose adaptor before connecting to the compressor, fig.1.A.
- 2.5. When using a propellant can (Sealey Model No. AB/P), connect the hose assembly (26) to the air regulator valve (29).
- 2.6. Ensure the valve is turned fully anti-clockwise before screwing to the top of the propellant can, fig.1.B.



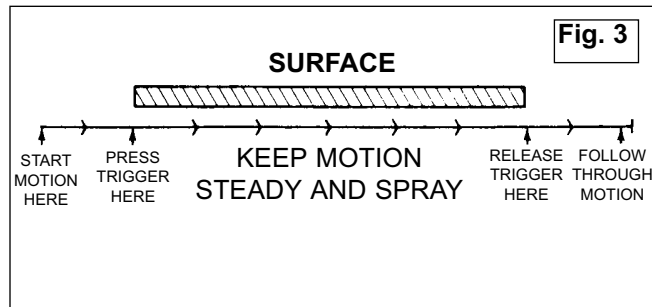
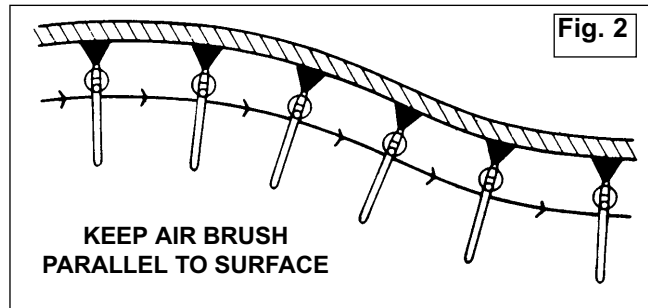
3. OPERATING INSTRUCTIONS

- 3.1. Mask the area which is NOT to be painted.
 - 3.2. Ensure the object to be painted is free from dust and grease etc.
 - 3.3. After mixing and thinning the paint, as instructed by the paint manufacturer, fill the gravity cup just over half full and replace the lid.
- Note:** You can mix any colour combinations required for use with your air brush, but **ONLY** mix compatible paints, i.e mix enamels with enamels, lacquers with lacquers and so on. Mix thoroughly, making sure that the paint is free from lumps. It may be necessary to strain the paint first.
- 3.4. Turn the air ON and test your spray on old newspaper or other material to get the "feel" of your air brush.
- Note:** When using quick drying paints, it is advisable to clean or immerse the fluid end of the air brush in a compatible solvent between sprays.
- 3.5. Make any necessary spray adjustments. The paint flow and spray pattern are adjusted by turning the fluid cap at the front of the air brush. The cap is completely closed when it has been turned clockwise to the stop point. To obtain various degrees of paint flow, turn the cap anti-clockwise. The maximum flow will be attained by turning the cap approximately 4 half turns anti-clockwise.

AB931 - 1 - 200203

- 3.6. Holding the air brush about 6 inches from the surface press the trigger. Using short strokes, move the air brush at a steady rate, parallel to the surface (Fig.2).
- 3.7. Apply a light coat of paint, let it dry, then apply another coat. Continue with this method until the desired coverage is reached. DO NOT spray too heavily.
- 3.8. Once you are satisfied with the results of your test pieces and have made any necessary adjustments to the air brush, continue with the task to be performed. Best results are achieved with a good constant motion. Start the motion before pressing the trigger, and follow a through motion after releasing the trigger (Fig.3).

CAUTION: ENSURE ADEQUATE VENTILATION. DO NOT SPRAY NEAR NAKED FLAMES.



4. CLEANING & MAINTENANCE

NOTE: To achieve the best results when spraying it is always best to start with the air brush clean and totally free from old paint deposits, dirt etc. Therefore the air brush should be thoroughly cleaned immediately after each operation.

- 4.1. Remove the empty gravity cup, wipe the inside thoroughly, including the lid.
- 4.2. Fill the cup half full of thinners and re-attach to the air brush.
- 4.3. Spray onto newspaper, this will clean the needle, fluid cap and air tip. Hold a soft cloth over the fluid cap and spray again, this will force air and thinners through the air brush and clean the internal moving parts. Should the air brush become clogged with paint, remove the needle, cap and tip as follows:
 - 4.3.1. Squeeze the two halves of the housing (1 & 2) together to prevent the nozzle seat (6) rotating.
 - 4.3.2. Using the spanner provided unscrew the nozzle and remove the needle.
- 4.4. Clean the needle, fluid cap and air tip with a small piece of cotton wool dipped in thinners.
- 4.5. Re-assemble the air brush by reversing the above instruction.

5. TROUBLESHOOTING

THE PROBLEM	THE CAUSE	THE SOLUTION
Paint Runs.	Too much paint applied. Moving air brush too slowly along workpiece. Not releasing trigger at the end of stroke.	Hold brush further away from object. Press trigger lightly. Move at a constant speed. Release trigger at end of stroke.
Grainy Spray.	Paint too thick. Dried paint deposits on tip, needle or regulator.	Thin paint. Clean air brush thoroughly, (as described above).
Paint Splattering.	Needle snapping back into tip.	Release needle gently.
Curved Stroke.	Air brush arcing too close to object.	Keep air brush parallel to the object, unless curved stroke is desired.
Paint Spitting.	Needle snapping back into tip.	Release needle gently.
Restricted Spray.	Regulator screwed in too tight. Paint tube in pot clogged.	Loosen regulator. Clean as described above.
Bubbles in Paint Jar	Regulator open too loose. Paint tube in pot clogged.	Tighten regulator. Clean as described above.
Erratic Spray	Fluid needle bent or paint deposits on needle.	Replace needle or clean as required.

NOTE: It is our policy to continually improve products and as such we reserve the right to alter data, specifications and component parts without prior notice.

IMPORTANT: No liability is accepted for incorrect use of this equipment.

WARRANTY: Guarantee is 12 months from purchase date. proof of which will be required for any claim.

INFORMATION: For a copy of our latest catalogue and promotions, call us on 01284 757525 and leave your full name and address including your postcode.



Sole UK Distributor, Sealey Group, Bury St. Edmunds, Suffolk.



01284 757500



01284 703534



sales@sealey.co.uk



www.sealey.co.uk