

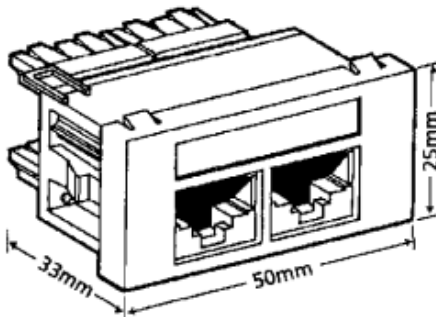
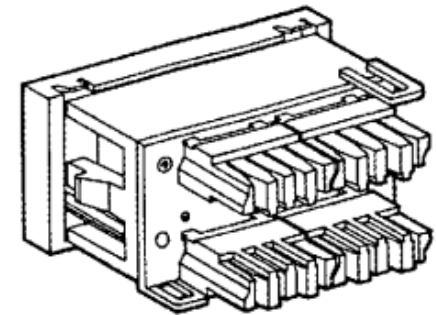
**Professionally approved products.
Datasheet**

4xRJ45 shielded Cat5e angled faceplate

RS Stock 249-5551



Dimensions: (mm)



Professionally approved products.

Datasheet

Features

- Dual Port module in 50mm x 25mm format
- Compatible with MOD – TAP USP Patch panels
- Fully category 5 compliant
- KATT low insertion force IDC connection PCB mounted
- Industry standard RJ45 socket for voice and data applications
- Compatible with EUROMOD faceplates and Gridplate

Application

- The double module is a highly versatile dual RJ45 connector which is compatible with a range of international wall plates and universal systems patching (USP) patch panels. Colour coded PCB mounted KATT IDC's allow building wiring to be terminated directly at the rear of the module, thus saving installation time.

TECHNICAL INFORMATION

Termination Tools:

MOD-TAP and industry standard tooling.

IDC Terminations:

Suitable for 0.4mm - 0.6mm solid or stranded cable, maximum o.d. 1.5mm. Two wires may be terminated for daisy-chain applications.

MECHANICAL

Jack Connector

Operating Life: Minimum 1000 insertion cycles

Contact Material: Copper based alloy

Contact Plating: 1.25 micrometers Au\Ni

Approvals: UL Listed Connector

IDC Connector

Operating Life: Minimum 100 Reterminations

Contact Material: Copper based alloy

Contact Plating: Sn\Pb over Ni

Wire Accommodation: 2 x 22-26 awg solid or stranded

ELECTRICAL

D.C. Resistance: <20 Milliohms

D.C. Resistance Imbalance: <2.0 Milliohms

Insulation Resistance: >100Megohms

Attenuation (dB)	@	1MHz	0.001
	@	16MHz	0.01
	@	100MHz	0.03
Crosstalk (dB)	@	1MHz	-80.01
	@	16MHz	-63.00
	@	100MHz	-43.30
Return Loss (dB)	@	1MHz	-40.00
	@	16MHz	-35.00
	@	100MHz	-20.00