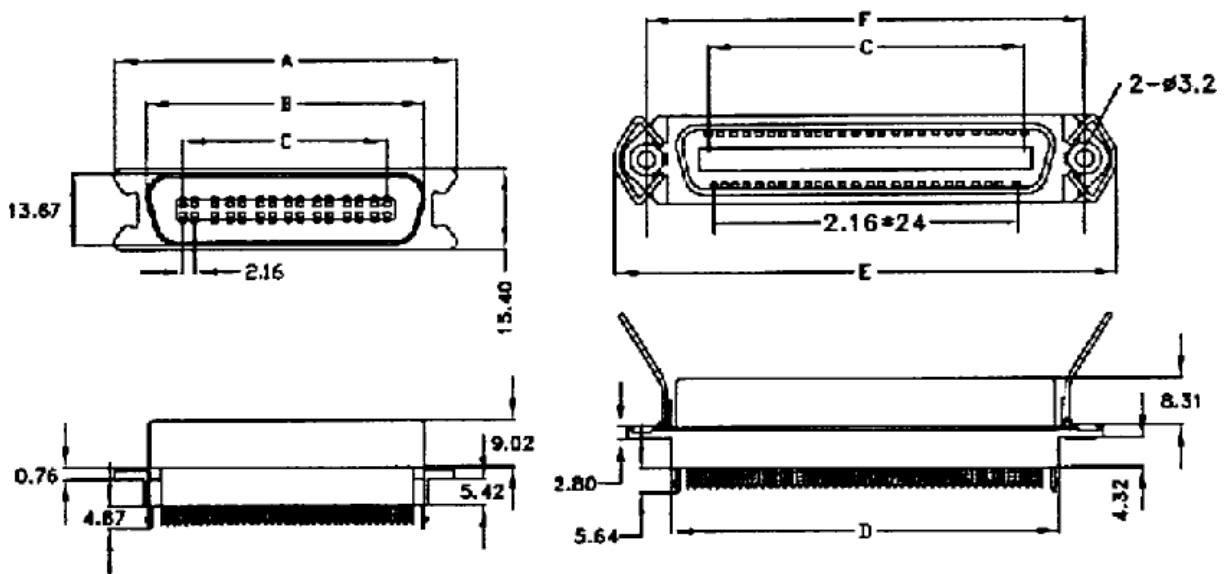


Professionally approved products.

## Datasheet

# IEEE 488 36 Way Cable Mount Socket

RS Stock number [239-1241](#)



POSITION	A	B	C	D	E	F
36Way	61.58	50.60	36.72	51.50	67.68	59.74
50Way	76.70	65.72	51.84	68.50	82.50	74.86

### Specifications:

Insulator:	PBT UL94V-0
Shell:	Steel, nickel over copper plated
Contacts:	Brass alloy gold plated on contact Tin plated on terminal
Rating current:	1A
Contact resistance:	<25m Ohm
Insulation resistance:	>1000m Ohm at 500V
Operating temp:	-50°C to +105°C