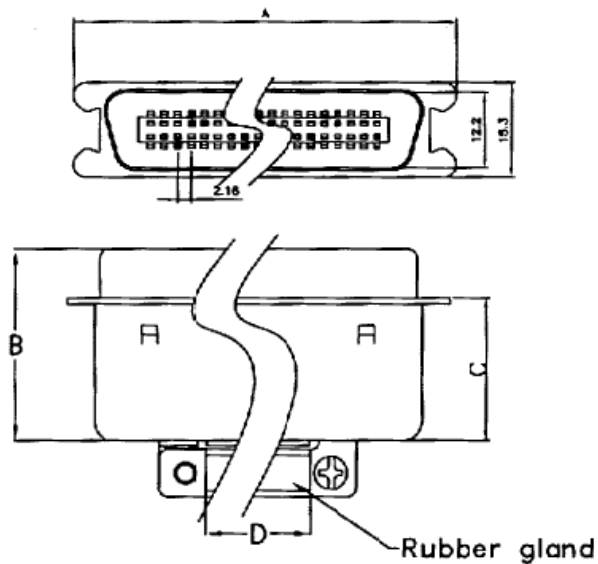


Professionally approved products.

Datasheet

IEEE 428 14 Way Cable Mount Plug

RS Stock number [239-1190](#)



POSITION	A	B	C	D
14F	37.8	41.0	21.4	7.6
24F	48.6	41.4	21.0	11.3
36F	61.6	42.4	23.0	16.8
50F	76.7	45.0	25.4	19

Specifications:

Insulator:	PBT UL94V-0
Shell:	Steel, nickel over copper plated
Contacts:	Brass alloy gold plated on contact tin plated on terminal
Hood:	Steel
Rating current:	1A
Contact resistance:	<25m Ohm
Insulation resistance:	>1000m ohm at 500V
Operating temp:	-55°C to +105°C