

- | | |
|------|------|
| H15P | H15S |
| 1 | 1 |
| 2 | 2 |
| 3 | 3 |
| 4 | 4 |
| 5 | 5 |
| 6 | 6 |
| 7 | 7 |
| 8 | 8 |
| 10 | 10 |
| 11 | 11 |
| 12 | 12 |
| 13 | 13 |
| 14 | 14 |
| 15 | 15 |
| GND | GND |

MECHANICAL

INSULATOR MATERIAL
PBT & Glass-fibre reinforced
UL 94V-0

CONTACT
Brass

SHELL
Steel

FINISH
Contact: Gold flash
Shell: Nickel or Tin

DURABILITY
100 cycles

ELECTRICAL

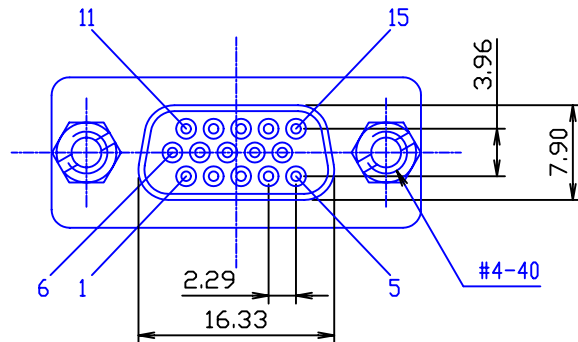
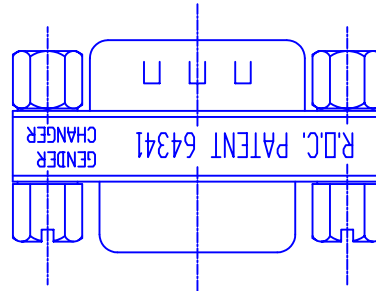
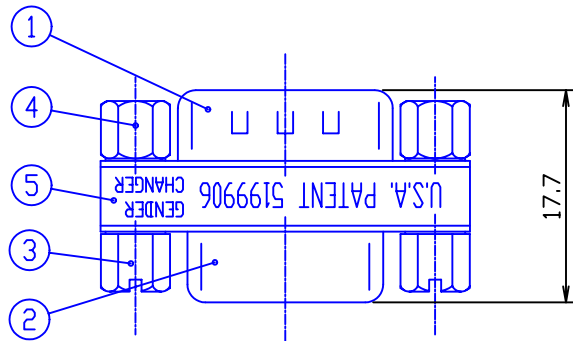
CURRENT RATING
5 Amp

DIELECTRIC WITHSTANDING VOLTAGE
AC 1000V Min. (for 1 minute)

INSULATION RESISTANCE
1000M Ω Min. (at 500V DC)

CONTACT RESISTANCE
20m Ω Max.

WORKING TEMPERATURE
-55°C to +105°C



UNLESS OTHERWISE SPECIFIED
TOLERANCE :
X. ±0.2 ANGLES : ±2°
X.X ±0.1
X.XX ±0.05 DO NOT SCALE DRAWING



5	Label , Yellow Color
4	#4-40 Hex Nuts
3	#4-40 Hex Screw
2	D-SUB High Density 15 Female
1	D-SUB High Density 15 Male
No.	DESCRIPTION

DRAWN BY	<i>ANDY</i>	TITLE		15Way High Density Mini Gender Changer	
CHECKED BY		SIZE A	UNIT MM	PART NO. 233-8925	
APPROVED BY		SCALE	1 : 1	THIRD ANGLE PROJECTION	PAGE 1 OF 1
DWG NO.		ITEM NO.	MGCH15F/H15M-01E		DATE 12/24/2003