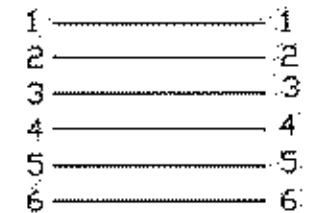
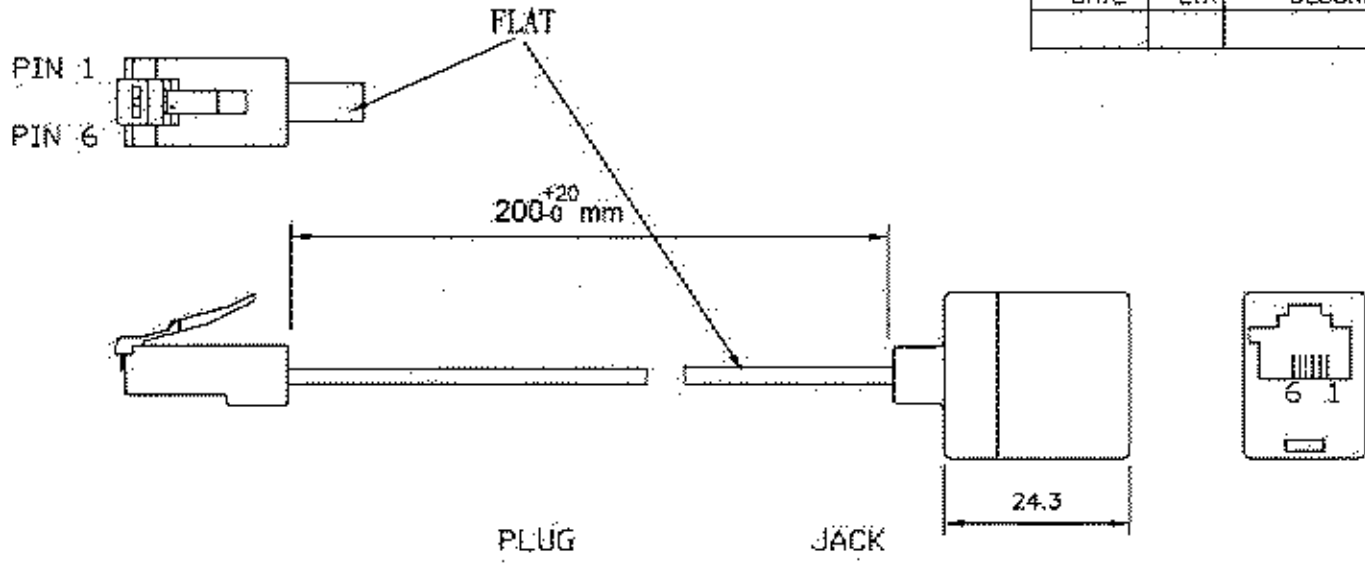


REVISIONS			
DATE	LTR	DESCRIPTION	APVD



Material

- Housing: ABS Resin UL94V-0
- Color: Beige
- Contacts: Phosphor Bronze
- Contact Plating: Gold over Nickel
- Cable: TELE-FLAT CABLE 26AWG 6C

UNLESS OTHERWISE SPECIFIED TOLERANCE : X ±0.2 ANGLES : ±2° XX ±0.1 XXX ±0.05 DO NOT SCALE DRAWING		TITLE Modular Extension Lead			
DRAWN BY <i>Arhua</i>	SIZE A	UNIT MM	PART NO. 188-3155		PAGE 1 OF 1
CHECKED BY <i>[Signature]</i>	SCALE 1 : 1	THIRD ANGLE PROJECTION			
APPROVED BY <i>[Signature]</i>	DWG NO. DEWX2001061901X0	ITEM NO. SPJ-6C+2M	DATE 06/19/2001		