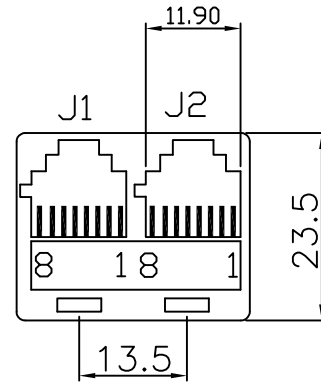
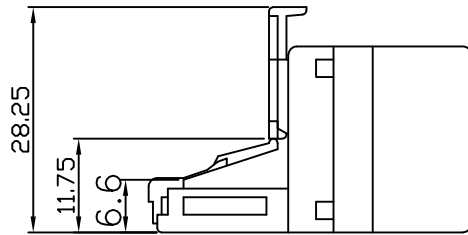


REVISIONS

| DATE | LTR | DESCRIPTION | ECN NO |
|------------|-----|----------------------------|---------|
| 09/21/2005 | A | NEW RELEASE | |
| 09/27/2005 | B | MODIFY TOLERANCE | |
| 03/22/2007 | C | Modify exterior dimension. | 0703028 |



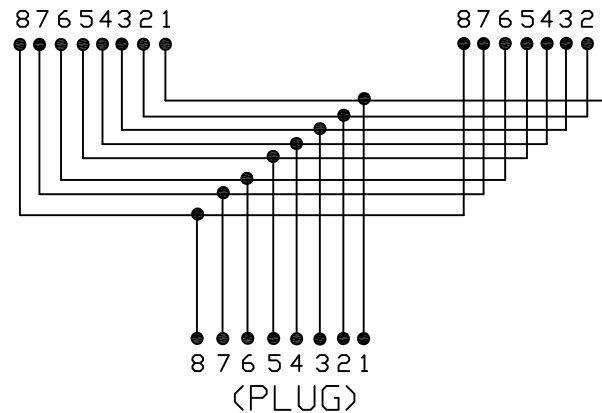
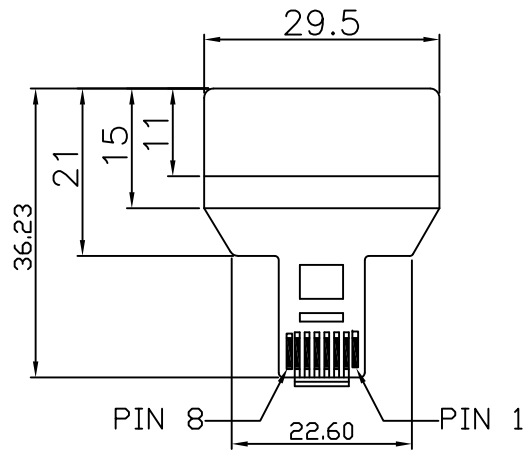
TECHNICAL DATA

HOUSING : STANDARD MATERIAL 15% GLASS FILLED PBT UL94V-2

CONTACT : 0.46 DIAMETER PHOSPHOR BRONZE GOLD PLATED OVER NICKEL

GOLD-PLATING : 0.15 um/6u inch

(J1) (J2) COLOR : IVORY



| | |
|-------------|-------|
| TOLERANCE : | |
| X.X | ±0.38 |
| X.XX | ±0.25 |
| X.XXX | ±0.10 |

| | |
|----------------------------|-------|
| UNLESS OTHERWISE SPECIFIED | |
| TOLERANCE : | |
| ANGLES : ±2° | |
| X.X | ±0.3 |
| X.XX | ±0.15 |
| DO NOT SCALE DRAWING | |

| | | | | | | | | | |
|-------------|--|------------------|------------------------|----------|----------|------------------------------------|------------|-------|--|
| DRAWN BY | | Oprah | | TITLE | | Modular Male To Two Female adaptor | | C3110 | |
| CHECKED BY | | SIZE | UNIT | PART NO. | | REV. | | | |
| | | A | mm | 186-3105 | | C | | | |
| APPROVED BY | | SCALE | THIRD ANGLE PROJECTION | | PAGE | | OF | | |
| | | 1 : 1 | | | 1 | | 1 | | |
| DWG NO. | | DEWX2001061901X0 | | | ITEM NO. | | DATE | | |
| | | | | | 267-88 | | 03/22/2007 | | |