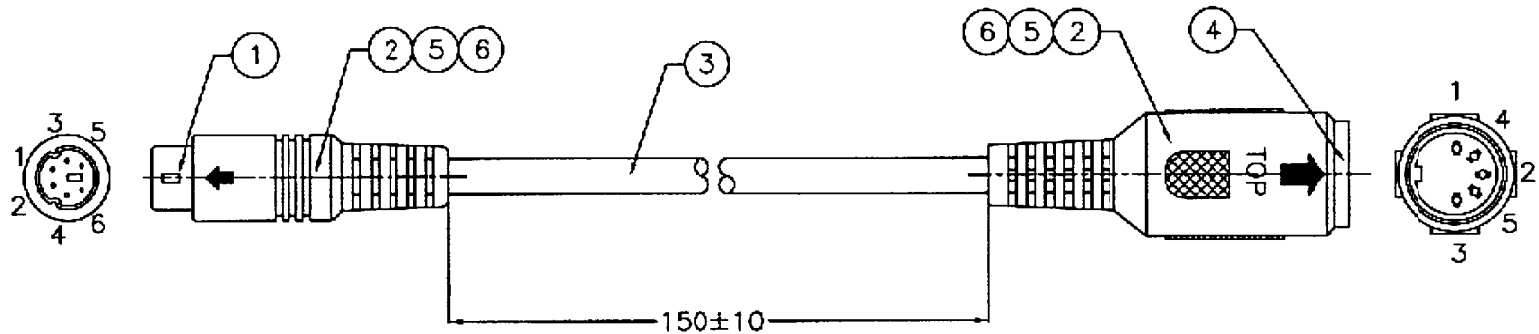


TOOLING NO.	
MINI DIN Male:	981028
DIN Female:	950637

REVISIONS			
DATE	LTR	DESCRIPTION	APVD



PIN ASSIGNMENT :

DIN5 F.	1	2	4	5	Shell
MD6 M.	5	1	3	4	Shell

NOTE:

- 1.Current Rating:2 A
- 2.Working Voltage:300V Max.
- 3.Contact Resistance:10mΩ Max.
- 4.Mating Cycles:250.
- 5.Temperature Rating:60°C Max.

6		mm	2-1487213-1	AL/Foil 360° Wrap.
5		KG	8-1487208-5	Inner Molded,PE.
4	1	EA	6-1487176-6	DIN5 Female, Shell: Nickel Plated. Insulation: Black Color. Contact: Tin Plated.
3	0.15	Mr	3-1537335-4	NON-UL 28AWG 4C.+Al/Foil+Drain, Jacket: Beige Color.
2		KG	0-1487209-5	Molded PVC Color : Beige.
1	1	EA	9-1487178-1	MD6 Male, Shell: Nickel Plated. Insulation: Black Color, Contact: Gold Flash.
ITEM	QTY	U/M	PART NO.	DESCRIPTION

UNLESS OTHERWISE SPECIFIED TOLERANCE : L ±0.2 ANGLES : ±2° XX ±0.1 XXX ±0.05 DO NOT SCALE DRAWING				TITLE PS2 6PIN MINI DIN TO 5PIN DIN ADAPTOR			
DRAWN BY <i>Arhaa</i>		SIZE A	UNIT MM	PART NO. 182-4093		PAGE 1 OF 1	
CHECKED BY <i>[Signature]</i>		SCALE 1 : 1	THIRD ANGLE PROJECTION 		DATE 06/19/2001		
APPROVED BY <i>[Signature]</i>		DWG NO. DEWX2001061906X0		ITEM NO. CM08MR05P28040005NM-01E			