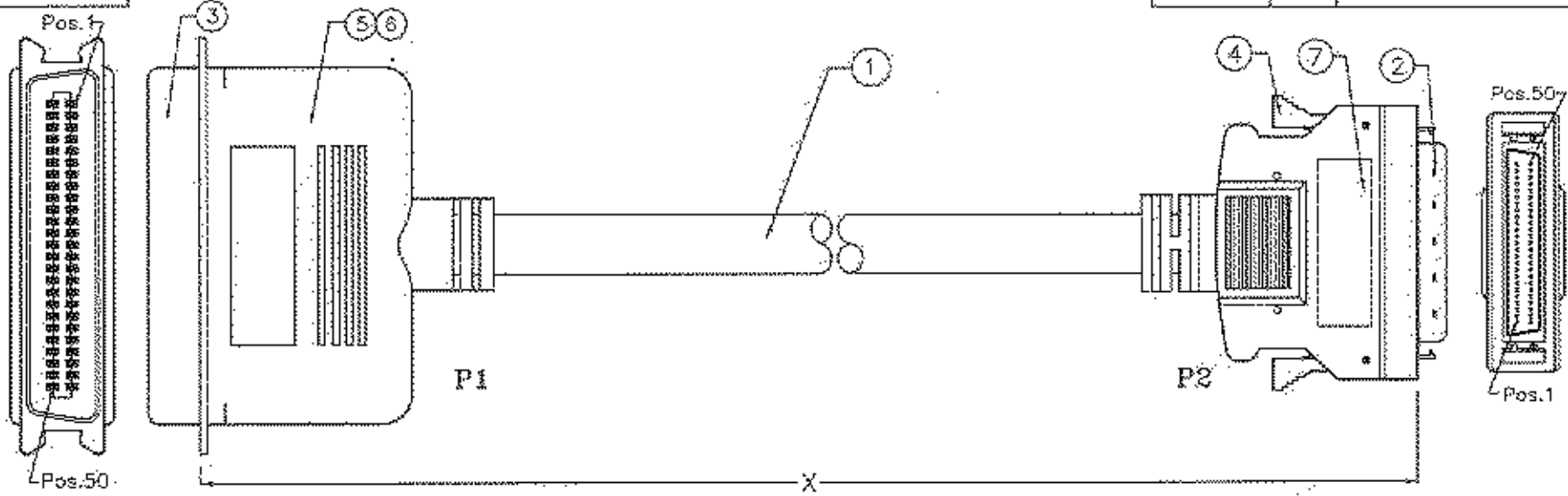
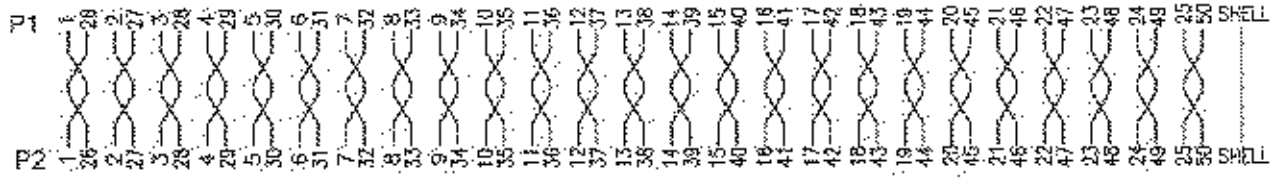


Tooling NO.
CN50:
HPDB50:A960222

REVISIONS			
DATE	LTR	DESCRIPTION	APPRO



PIN ASSIGNMENT:



Specifications:

Shielding	100% of Mylar Foil
Current Rating	2A max.
Operating voltage	300V max.
Temperature Rating	80°C
Contact Resistance	15m ohm max
Mating Cycles	500

TABLE	
Part No	Length(X)
182-3927	1000±25
CC50ME50M28500633AM-01E	
182-3933	2000±50
CC50ME50M28500666AM-01E	

7	KG	DVINO40BG001	Outer Molded PVC Color: Beige.	
6	KG	DVINO40BG001	Outer Molded PVC Color: Beige.	
5	mm	SFC3010001	Copper Foil .360' Soldered.	
4	2	EA	FLHD50NIPXX0001	Latch A4 Type, Color : Beige.
3	1	EA	CCENT050MBKNIT000002	CNS0 Male, Contact: Gold Flash, Insulation: Black Color.PBT UL94V-0
2	1	EA	CHPDB050MBKNIP000004	HPDB50 Male, Contact: Gold Flash, Insulation: Black Color.PBT UL94V-0
1	1	EA	W299028BS25PB0001M01	UL2990 .28AWG .25TW/PR, Al/Foil+Drain +Braid, Color: Beige.

UNLESS OTHERWISE SPECIFIED
TOLERANCE :
X .±0.2 ANGLES : ±3°
XX ±0.1
XXX ±0.05 DO NOT SCALE DRAWING

DRAWN BY	ENWEN	TITLE	SCSI II HPDB50M TO SCSI I CEN50M	
CHECKED BY	<i>[Signature]</i>	SIZE UNIT	PART NO. 182-39XX	REV. A
APPROVED BY	<i>[Signature]</i>	SCALE 0.95:1	THIRD ANGLE PROJECTION	PAGE 1 OF 2
DWG NO.	GTT071901-01	ITEM NO.	CC50ME50M28500666AM-01E	DATE 07/19/2001

ITEM	QTY	U/M	PART NO.	DESCRIPTION
------	-----	-----	----------	-------------