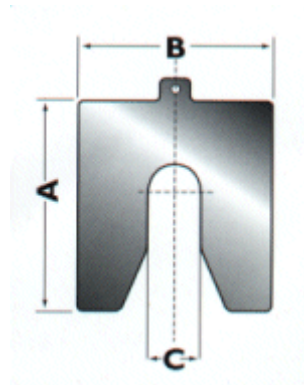


Shim measurement and specification charts



Inch shims

Designation	No. of shims	A	B	C	Thickness	Bolt size
2-002A	10	2"	2"	0.51"	0.002"	1/2"
2-005A	10	2"	2"	0.51"	0.005"	1/2"
2-010A	10	2"	2"	0.51"	0.010"	1/2"
2-025A	10	2"	2"	0.51"	0.025"	1/2"
2-050A	10	2"	2"	0.51"	0.050"	1/2"
2-075A	10	2"	2"	0.51"	0.075"	1/2"
3-002B	10	3"	3"	0.827"	0.002"	13/16"
3-005B	10	3"	3"	0.827"	0.005"	13/16"
3-010B	10	3"	3"	0.827"	0.010"	13/16"
3-025B	10	3"	3"	0.827"	0.025"	13/16"
3-050B	10	3"	3"	0.827"	0.050"	13/16"
3-075B	10	3"	3"	0.827"	0.075"	13/16"
4-002C	10	4"	4"	1.26"	0.002"	1. 1/4"
4-005C	10	4"	4"	1.26"	0.005"	1. 1/4"
4-010C	10	4"	4"	1.26"	0.010"	1. 1/4"
4-025C	10	4"	4"	1.26"	0.025"	1. 1/4"
4-050C	10	4"	4"	1.26"	0.050"	1. 1/4"
4-075C	10	4"	4"	1.26"	0.075"	1. 1/4"
5-002D	10	5"	5"	1.77"	0.002"	1.3/4"

5-005D	10	5"	5"	1.77"	0.005"	1.3/4"
5-010D	10	5"	5"	1.77"	0.010"	1.3/4"
5-025D	10	5"	5"	1.77"	0.025"	1.3/4"
5-050D	10	5"	5"	1.77"	0.050"	1.3/4"
5-075D	10	5"	5"	1.77"	0.075"	1.3/4"

Metric shims

Designation	No. of shims	A	B	C	Thickness	Bolt size
Profile A						
50-005An	10	50mm	50mm	13mm	0.05mm	M12
50-010Ap	10	50mm	50mm	13mm	0.10mm	M12
50-020Ar	10	50mm	50mm	13mm	0.20mm	M12
50-025As	10	50mm	50mm	13mm	0.25mm	M12
50-040At	10	50mm	50mm	13mm	0.40mm	M12
50-050Au	10	50mm	50mm	13mm	0.50mm	M12
50-070Av	10	50mm	50mm	13mm	0.70mm	M12
50-100Aw	10	50mm	50mm	13mm	1.00mm	M12
50-200Ax	10	50mm	50mm	13mm	2.00mm	M12
Profile B						
75-005Bn	10	75mm	75mm	21mm	0.05mm	M18
75-010Bp	10	75mm	75mm	21mm	0.10mm	M18
75-020Br	10	75mm	75mm	21mm	0.20mm	M18
75-025Bs	10	75mm	75mm	21mm	0.25mm	M18
75-040Bt	10	75mm	75mm	21mm	0.40mm	M18
75-050Bu	10	75mm	75mm	21mm	0.50mm	M18
75-070Bv	10	75mm	75mm	21mm	0.70mm	M18
75-100Bw	10	75mm	75mm	21mm	1.00mm	M18
75-200Bx	10	75mm	75mm	21mm	2.00mm	M18
Profile C						
100-005Cn	10	100mm	100mm	32mm	0.05mm	M27
100-010Cp	10	100mm	100mm	32mm	0.10mm	M27
100-020Cr	10	100mm	100mm	32mm	0.20mm	M27
100-025Cs	10	100mm	100mm	32mm	0.25mm	M27
100-040Ct	10	100mm	100mm	32mm	0.40mm	M27
100-050Cu	10	100mm	100mm	32mm	0.50mm	M27
100-070Cv	10	100mm	100mm	32mm	0.70mm	M27
100-100Cw	10	100mm	100mm	32mm	1.00mm	M27
100-200Cx	10	100mm	100mm	32mm	2.00mm	M27
Profile D						
125-005Dn	10	125mm	125mm	45mm	0.05mm	M36
125-010Dp	10	125mm	125mm	45mm	0.10mm	M36
125-020Dr	10	125mm	125mm	45mm	0.20mm	M36
124-025Ds	10	125mm	125mm	45mm	0.25mm	M36

125-040Dt	10	125mm	125mm	45mm	0.40mm	M36
125-050Du	10	125mm	125mm	45mm	0.50mm	M36
125-070Dv	10	125mm	125mm	45mm	0.70mm	M36
125-100Dw	10	125mm	125mm	45mm	1.00mm	M36
125-200Dx	10	125mm	125mm	45mm	2.00mm	M36
Profile E						
200-005En	10	200mm	200mm	55mm	0.05mm	M52
200-010Ep	10	200mm	200mm	55mm	0.10mm	M52
200-020Er	10	200mm	200mm	55mm	0.20mm	M52
200-025Es	10	200mm	200mm	55mm	0.25mm	M52
200-040Et	10	200mm	200mm	55mm	0.40mm	M52
200-050Eu	10	200mm	200mm	55mm	0.50mm	M52
200-070Ev	10	200mm	200mm	55mm	0.70mm	M52
200-100Ew	10	200mm	200mm	55mm	1.00mm	M52
200-200Ex	10	200mm	200mm	55mm	2.00mm	M52

Small motor/pump shims

Designation	No. of shims	A	B	C	Thickness	Bolt size
35-005	10	35mm	30mm	9mm	0.05mm	M8
35-010	10	35mm	30mm	9mm	0.10mm	M8
35-020	10	35mm	30mm	9mm	0.20mm	M8
35-025	10	35mm	30mm	9mm	0.25mm	M8
35-040	10	35mm	30mm	9mm	0.40mm	M8
35-050	10	35mm	30mm	9mm	0.50mm	M8
35-070	10	35mm	30mm	9mm	0.70mm	M8
35-100	10	35mm	30mm	9mm	1.00mm	M8

Laminated shims

Designation	Material	No. of Shims	Size			Thickness
			A	B	C	
LB- 50Pak	Brass	20	50mm	50mm	13mm	1.00mm
LB- 75Pak	Brass	20	75mm	75mm	21mm	1.00mm
LB-100Pak	Brass	20	100mm	100mm	32mm	1.00mm
LB-125Pak	Brass	20	125mm	125mm	45mm	1.00mm
LB-200Pak	Brass	20	200mm	200mm	55mm	1.00mm
LS- 50Pak	Stainless steel	20	50mm	50mm	13mm	1.00mm
LS- 75Pak	Stainless steel	20	75mm	75mm	21mm	1.00mm
LS-100Pak	Stainless steel	20	100mm	100mm	32mm	1.00mm
LS-125Pak	Stainless steel	20	125mm	125mm	45mm	1.00mm

LS-200Pak	Stainless steel	20	200mm	200mm	55mm	1..00mm
Laminated sheets						
LBSheet	Brass		Size 410mm x 1220mm x 1.00mm			
LSSheet	Stainless steel		Size 610mm x 1220mm x 1.00mm			

Packs and cases

Designation	Contents	
50-pak	50 off shims size 50mm x 50mm . 10 off each thickness 0.05, 0.10, 0.25 ,0.50 & 1.00mm	
75-Pak	50 off shims size 75mm x 75mm . 10 off each thickness 0.05, 0.10, 0.25, 0.50 & 1.00mm	
100-pak	50 off shims size 100mm x 100mm. 10 off each thickness 0.05, 0.10, 0.25, 0.50 & 1.00mm	
125-Pak	50 off shims size 125mm x 125mm. 10 off each thickness 0.05, 0.10, 0.25, 0.50 & 1.00mm	
200-Pak	50 off shims size 200mm x 200mm. 10 off each thickness 0.05, 0.10, 0.25, 0.50 & 1.00mm	
Cases of selected shims		
Designation	Contents	
Shimcase 1	Total 360 shims.	20 off each thickness
	50mm x 50mm	0.05mm, 0.10mm, 0.25mm, 0.50mm, 1.00mm & 2.00mm
	75mm x 75mm	
	100mm x 100mm	
Shimcase 2	Total 510 shims	20 off each thickness
	50mm x 50mm	0.05mm, 0.10mm, 0.20mm, 0.25mm, 0.40mm, 0.50mm
	75mm x 75mm	0.70mm, 1.00mm.
	100mm x 100mm	Plus 10 off 2.00mm
Shimscale 3	Total 340 shims	20 off each thickness
	100mm x 100mm	0.05mm, 0.10mm, 0.20mm, 0.25mm, 0.40mm 0.50mm
	125mm x 125mm	0.70mm, 1.00mm.
		Plus 10 off 2.00mm
Shimscale 4	Total 720 shims	20 off each thickness
	50mm x 50mm	0.05mm, 0.10mm, 0.20mm, 0.25mm, 0.40mm, 0.50mm
	75mm x 75mm	0.70mm 1.00mm & 2.00mm
	100mm x 100mm	

	125mm x 125mm	
Imperial shim case		
Impshimcase 1	Total 360 shims	20 off each thickness
	2" x 2"	0.002", 0.005", 0.010", 0.025", 0.050" & 0.075"
	3" x 3"	
	4" x 4"	