

Professionally approved products.

Battery Holders & Mounts

Battery Holder for 4(AA) Coil Spring Contact



RS Stock No. [594-432](#)

Specification:

RS Article No. 594-432

Body Material: PP

Dimensions: 115 x 27 x 17mm

For Battery Size: 4 x AA (Long)

Number of Cells: 4 (AA)

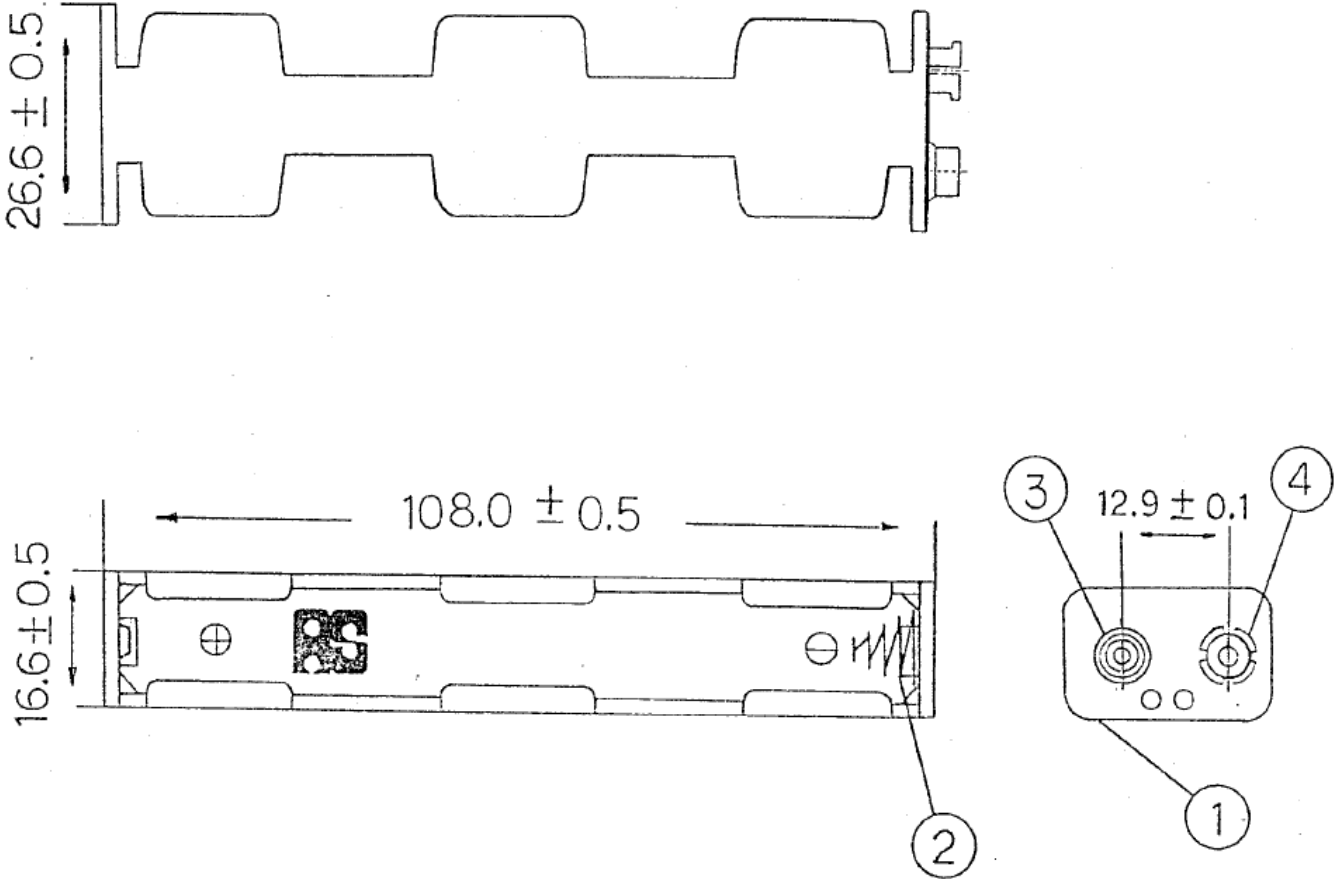
Terminal Contact Type: Coil Spring

Type: Battery Holder



Professionally approved products.

Drawings:



No.	Part Name	Material	QTY	Notes
1	Cells	PP	1	Black
2	Steel Springs	SWB 60C Elastic Steel	2	Nickel Plated
3	Male Snap (+)	Brass	1	Nickel Plated
4	Female Snap (-)	Brass	1	Nickel Plated

