

Professionally approved products.

Battery Holders & Mounts

Battery Holder for 4(D) Coil Spring Contact



RS Stock no. [594-426](#)

Specification:

RS Article No. 594-426

Body Material: PP

Dimensions: 149 x 71 x 28mm

For Battery Size: 4 x D

Number of Cells: 4 (D)

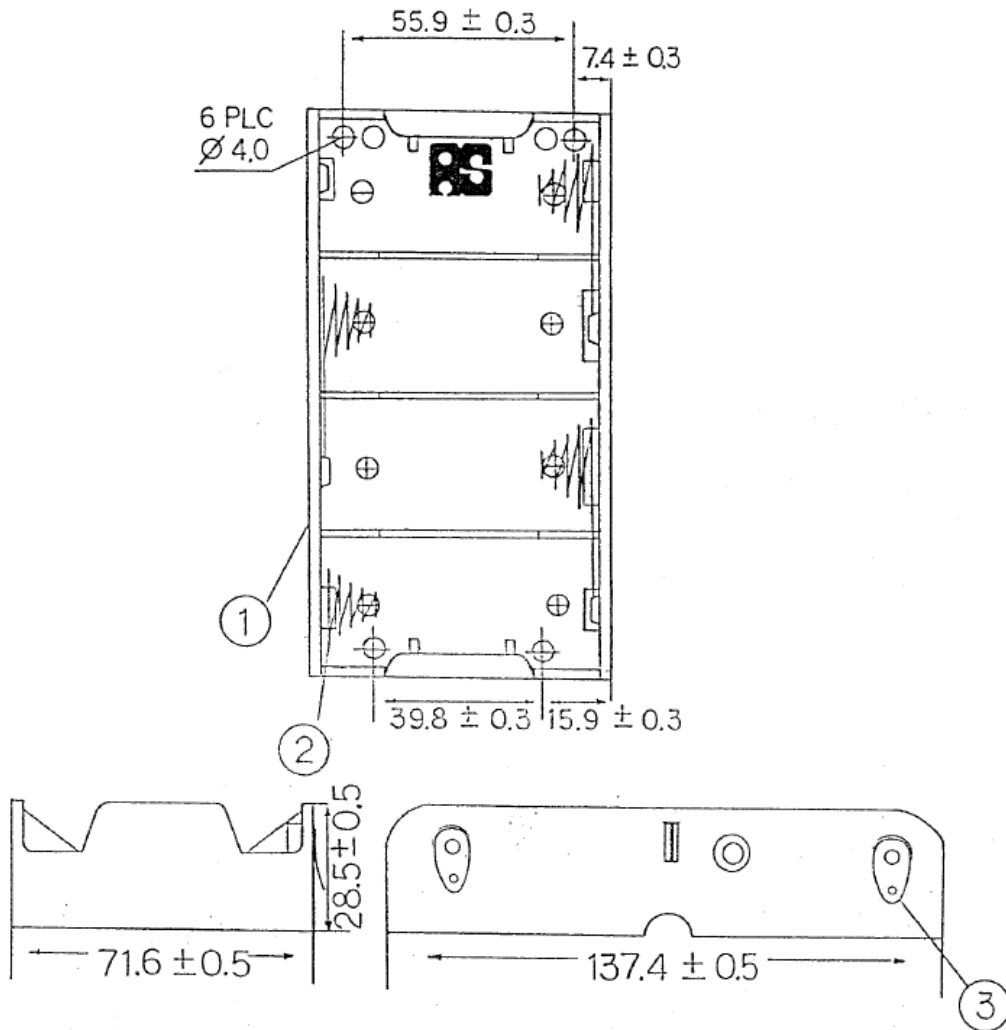
Terminal Contact Type: Coil Spring

Type: Battery Holder



Professionally approved products.

Drawings:



No.	Part Name	Material	QTY	Notes
1	Cells	PP	1	Black
2	Steel Springs	SWB 60C Elastic Steel	4	Nickel Plated
3	Solder Lugs	Brass	1	Nickel Plated

