



## Terminal Covers for RS Chassis and Clamp Mount transformers.

- Accessories for Chassis Mount and Clamp Mount Transformers
- Designed for use with the 'S' range bobbins used in RS series
- Adds protection to the high voltage side of the transformer

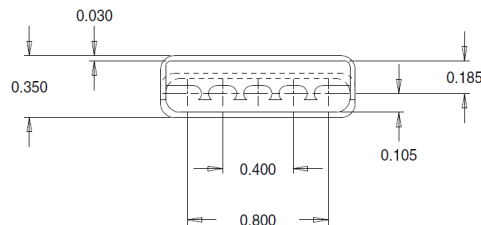
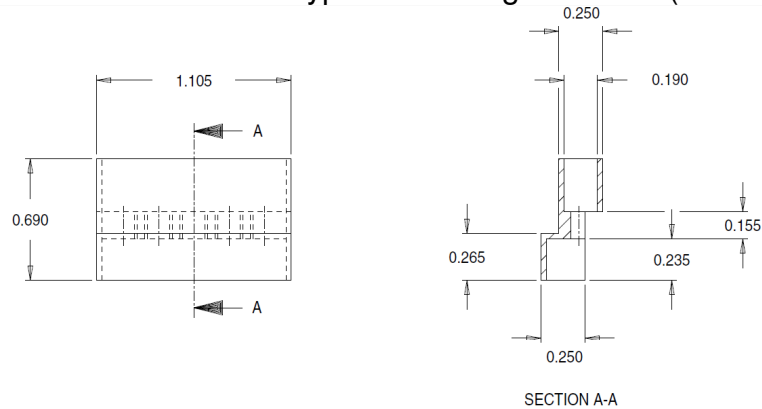


### Technical Information:

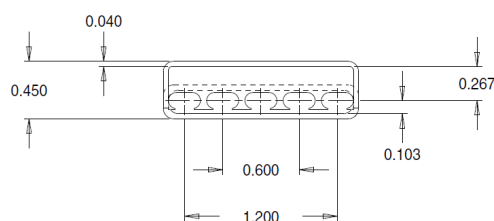
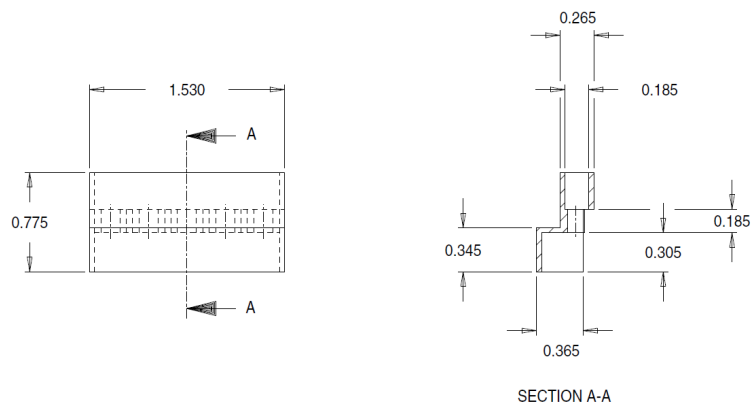
Material: 30% Glass Reinforced Nylon to UL94HB

Dimensions:

503-912. Terminal Cover to fit the type 18 'S' range bobbins (dim. In inches):

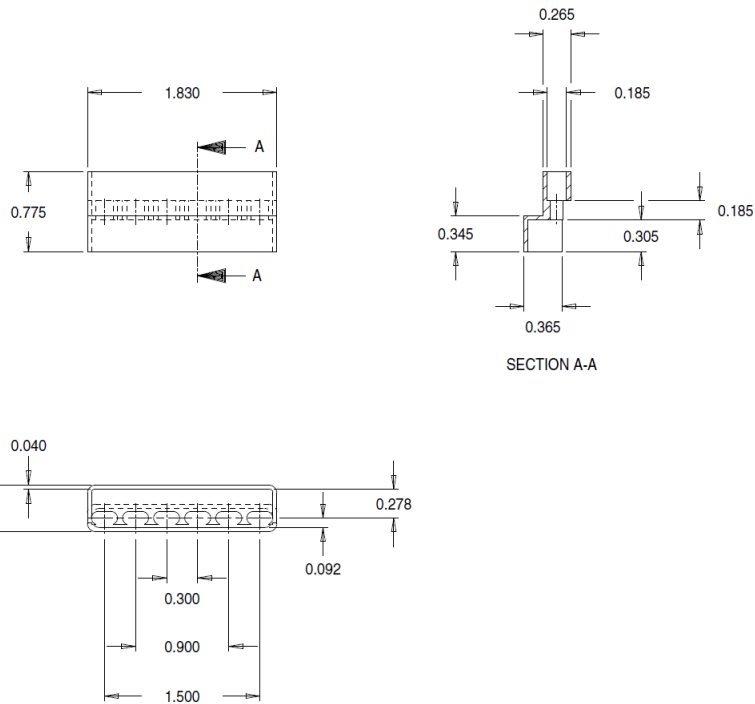


504-004. Terminal Cover to fit the type 35 & 147 'S' Range bobbins (dim. In inches):





503-928. Terminal Cover to fit the types 29 and 196 'S' Range Bobbins (dim. In inches):



**Ordering details:**

RS Stock Number	Manufacturer Part Number	Description	For RS Chassis and Clamp Mount series
503-912	ST53469	Terminal shroud for 6VA transformer	X
504-004	ST53471	Terminal shroud for 12 / 20VA transformer	X
503-928	ST53470	Terminal shroud for 50, 75 / 100VA transformer	X

**Application note:**

To be pushed on to the bobbin for adding additional protection.  
Please see example to the right.

