

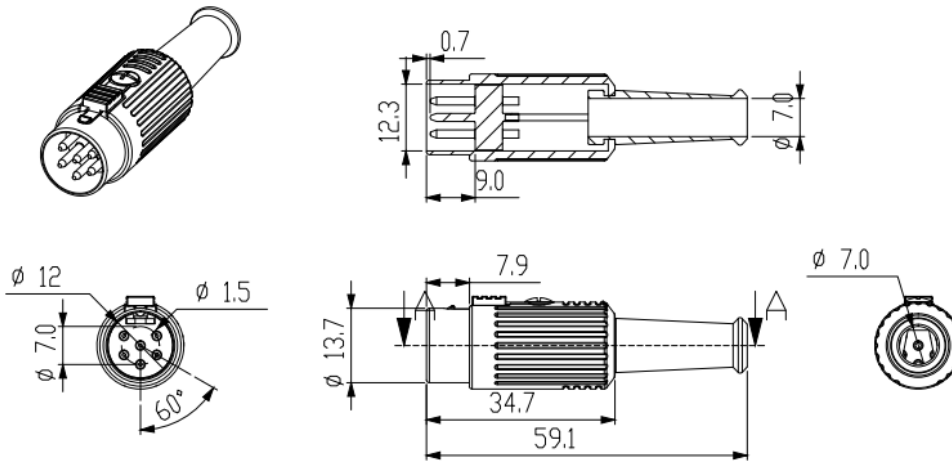
Professionally approved products.

## Datasheet

# 6 Pole Male Straight DIN Connector

RS Stock number [491-162](#)

Dimensions: (mm)



## Specifications

- Rating: 100V AC 1A max
- Contact Resistance: pins – 30mOHM max ; shell – 50m OHM max
- Insulation Resistance: min 100 Meg OHM @500V DC
- Voltage withstand: 250V AC RMS for 1 minute
- Operating Temperature: -20°C ~ 85°C

7	6P Housing	PBT/Brass	-/Silver Ptd.	1
6	'T' Holder	Steel	Nickel Ptd.	1
5	Setscrew	Steel	Nickel Ptd.	1
4	Hook Button	Zn Alloy	Nickel Ptd.	1
3	Leaf Spring	Steel	Thermal Treatment	1
2	Strain Boot	PVC		1
1	YE-118XM Cover	Zn Alloy	Nickel Ptd.	1
No.	Description	Material	Treat	Q'ty