

S.35 high pressure mini 1/8"-1/2" drawn brass ball valves

RoHS compliant



Features and Specifications:

- * Patent n. 7011-B/89,
- * **One piece** drawn sand blasted brass body with extremely compact design,
- * **Approved by** VTT (SF), GOST-R (RU), Hygenic (RU), ROSTEKHNADZOR (RU),
- * Finest brass according to **EN 12164** specification,
- * Each valve is seal tested for **maximum safety**,
- * Pure **PTFE** self-lubricating seats with flexible-lip design,
- * Dual sealing system allows valve to be operated in either direction making **installation easier**,
- * Chrome plated brass ball for **longer life**,
- * **No metal-to-metal** moving parts,
- * **No maintenance** ever required,
- * **Blowout-proof** brass stem with FPM O-ring,

- * Reinforced nylon black **wedge handle** removable with valve in service,
- * Handle/stem clearly show **ball position**,
- * **ISO 228** parallel threads,
- * **Silicone-free** lubricant,
- * 30 bar (Kg/cm²) non-shock cold working **pressure**,
- * -20°C +90°C **temperature** (+120°C screw driver version and metal wedge handle).

Options:

- * **Male by Female** threads,
- * **ISO 7/1 BSPT Taper** threads,
- * **NPT taper ANSI B.1.20.1** threads,
- * **Dezincification Resistant** brass CW602N,
- * **Aluminum** body,
- * **Nylon** wedge handle yellow, red or green,
- * **Metal** wedge handle available in colours red, black, yellow, green, light blue, chrome plated,
- * Grey wedge handle in **Grivory®** - high performing polymer,
- * **Screw driver** or **wrench** operated,
- * **Additional connection** options on demand.



NOTE: Approvals apply to specific configurations/sizes only.

The product described in this document meets the requirements of PED Directive 97/23 and according to art.3 par.3, it does not require CE marking.

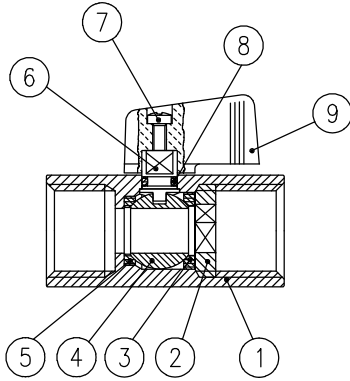




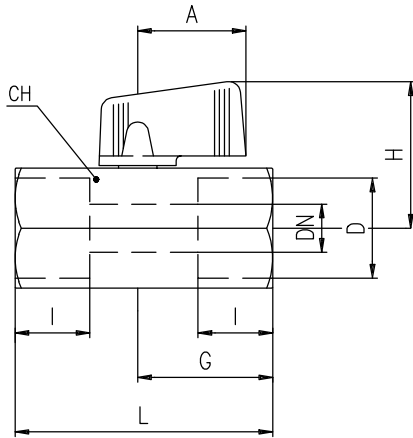
RUBINETTERIE UTENSILERIE BONOMI SRL

VIA PADANA SUPERIORE, 27/29 - FRAZ. CILIVERGHE, 25080 MAZZANO (BS) - ITALY

Fax+39 030 2629498
 Phone+39 030 212441
 www.rubvalves.com
 sales@rubvalves.com



PART DESCRIPTION	Q.ty	Material
1 Chrome plated body	1	CW617N
2 Retainer nut	1	CW617N
3 Retainer seat	1	Ptfe
4 Chrome plated ball	1	CW617N
5 Body seat	1	Ptfe
6 Unplated stem	1	CW617N
7 Zinc plated screw	1	CB4FF
8 O-Ring	1	FPM
9 Black handle	1	Nylon glass filled 30%

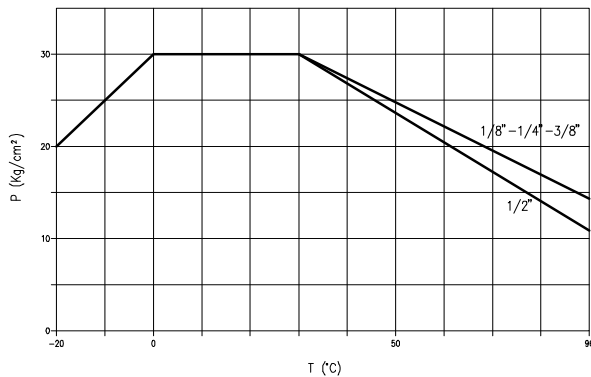


PATENTED

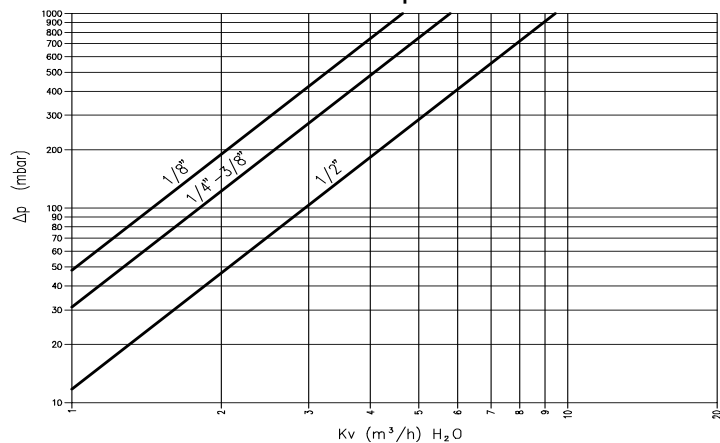
Code	S35AF0	S35BF0	S35CF0	S35DF0
D (inch)	1/8	1/4	3/8	1/2
DN(mm)	6	8	8	10
I (mm)	10	11	11	13
L (mm)	41.5	41.5	41.5	49
G (mm)	22	22	22	26
A (mm)	22.5	22.5	22.5	22.5
H (mm)	31	31	31	33
CH(mm)	21	21	21	25

DN shows the nominal flow diameter. For details on other configurations, ask our Service Center.

Pressure - Temperature chart



Pressure drop chart



Ask for additional information on the whole range of **RuB** valves and consult with your supplier for special applications.



Code	S35AM0	S35BM0	S35CM0	S35DM0
D (inch)	1/8	1/4	3/8	1/2
DN (mm)	5	8	8	10
I (mm)	10	11	11	13
L (mm)	41.5	41.5	41.5	49
G (mm)	22	22	22	26
A (mm)	22.5	22.5	22.5	22.5
H (mm)	31	31	31	33
CH (mm)	21	21	21	25