

Professionally approved products.

Datasheet

s.142 bib-cock

3/8"-1" hot forged brass with 3/4" outlet and hose



Quality:

- Chrome plated brass ball for longer life

Body:

- Hot forged sand blasted nickel plated brass body
- Angle pattern ball bib-cock with hose fitting
- Copper alloy brass according to EN 12165 and EN 12164 specifications

Stem:

- FPM and NBR O-Rings at the stem for maximum safety

Seals:

- Pure PTFE seats

PED Directives:

- The product meets the requirements of PED Directive 97/23 and according to art.3 par.3, it does not require CE marking

Threads:

- UNI ISO 228 male inlet thread
- 3/4" threaded outlet complete with hose

Handle:

- Enameled red steel handle

Working Pressure:

- 15 Bar up to 3/4", 12 Bar over
- non-shock cold working pressure

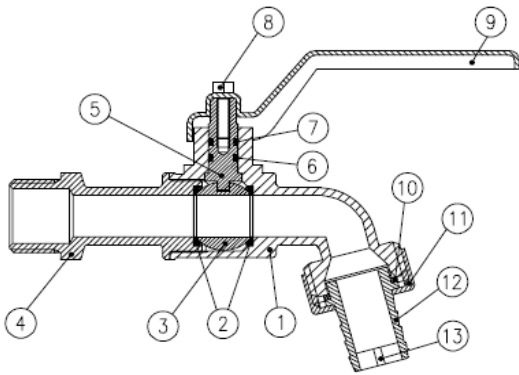
Working Temperature:

- -20°C / +80°C
- Warning: freezing of the fluid in the installation may severely damage the valve

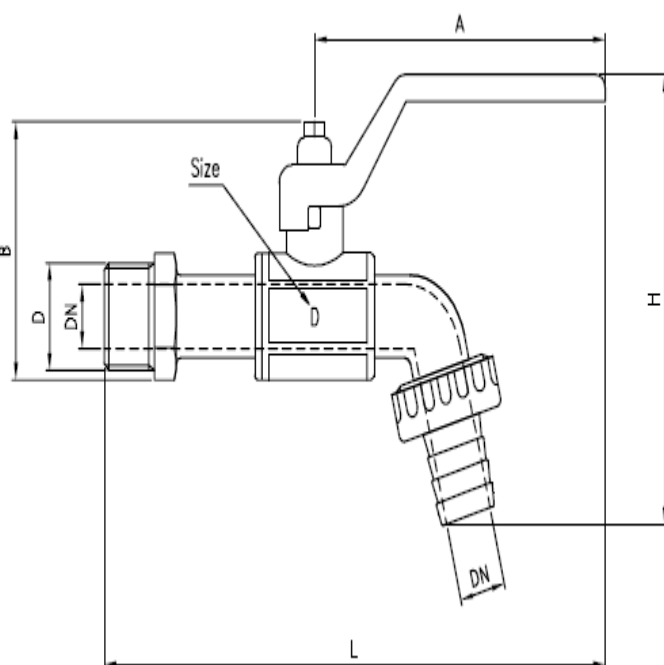
Approved by or in compliance with:

- GOST-R (Russia)
- Hygiene and epidemic center in Moscow city (Russia)
- UkrSepro (Ukraine)
- EAC - Declaration of conformity (Russia-Kazakhstan-Belarus)

NOTE: Approvals apply to specific configurations/sizes only.



	Part Description	Q.ty	Material
1	Nickel plated body	1	CW617N
2	Seat	2	PTFE
3	Chrome plated ball	1	CW614N
4	Nickel plated end cap	1	CW617N
5	Stem O-Ring design	1	CW614N
6	O-Ring	1	FPM
7	O-Ring	1	NBR
8	Screw	1	Steel
9	Enameled red handle	1	Steel
10	Washer	1	PVC rubber
11	Nickel plated nut	1	CW617N
12	Nickel plated hose	1	CW617N
13	Infuser	1	Vestolen



Code	142C0P	142D0P	142E0P	142F0P
D (inch)	3/8	1/2	3/4	1
DN(mm)	10	12	12	15
B (mm)	53	53	61	65
L (mm)	135	137	148.5	158
A (mm)	80	80	88.5	88.5
H (mm)	93	93	108.5	126