

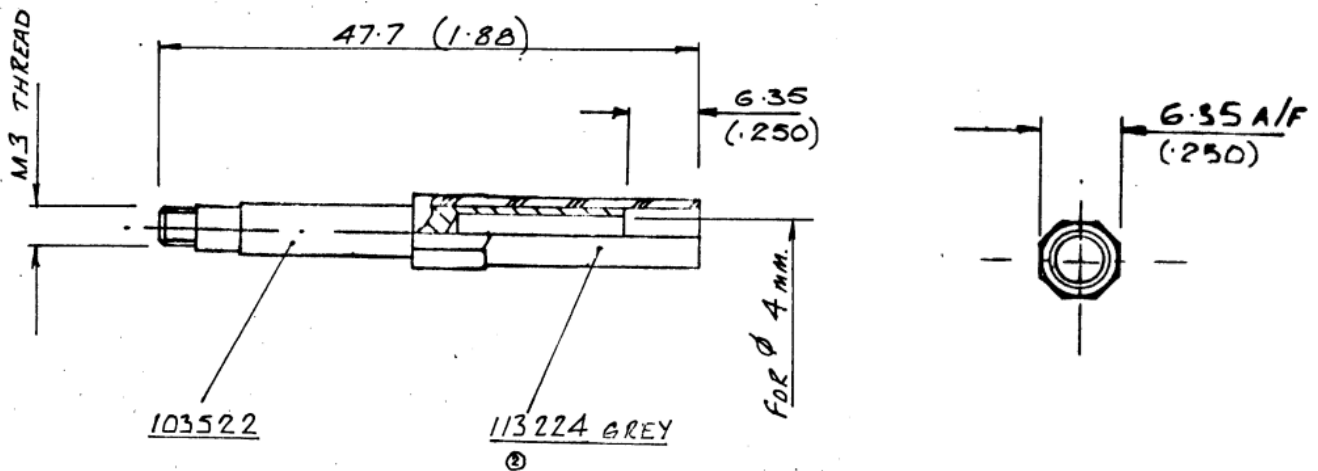
Professionally approved products.

Datasheet

Test Adapter, Series: W

RS Stock number [452-164](#)

Drawing (mm):



Specifications:

Max. voltage:	1kV
Max. current:	10AMP
Insulation breakdown:	9kV