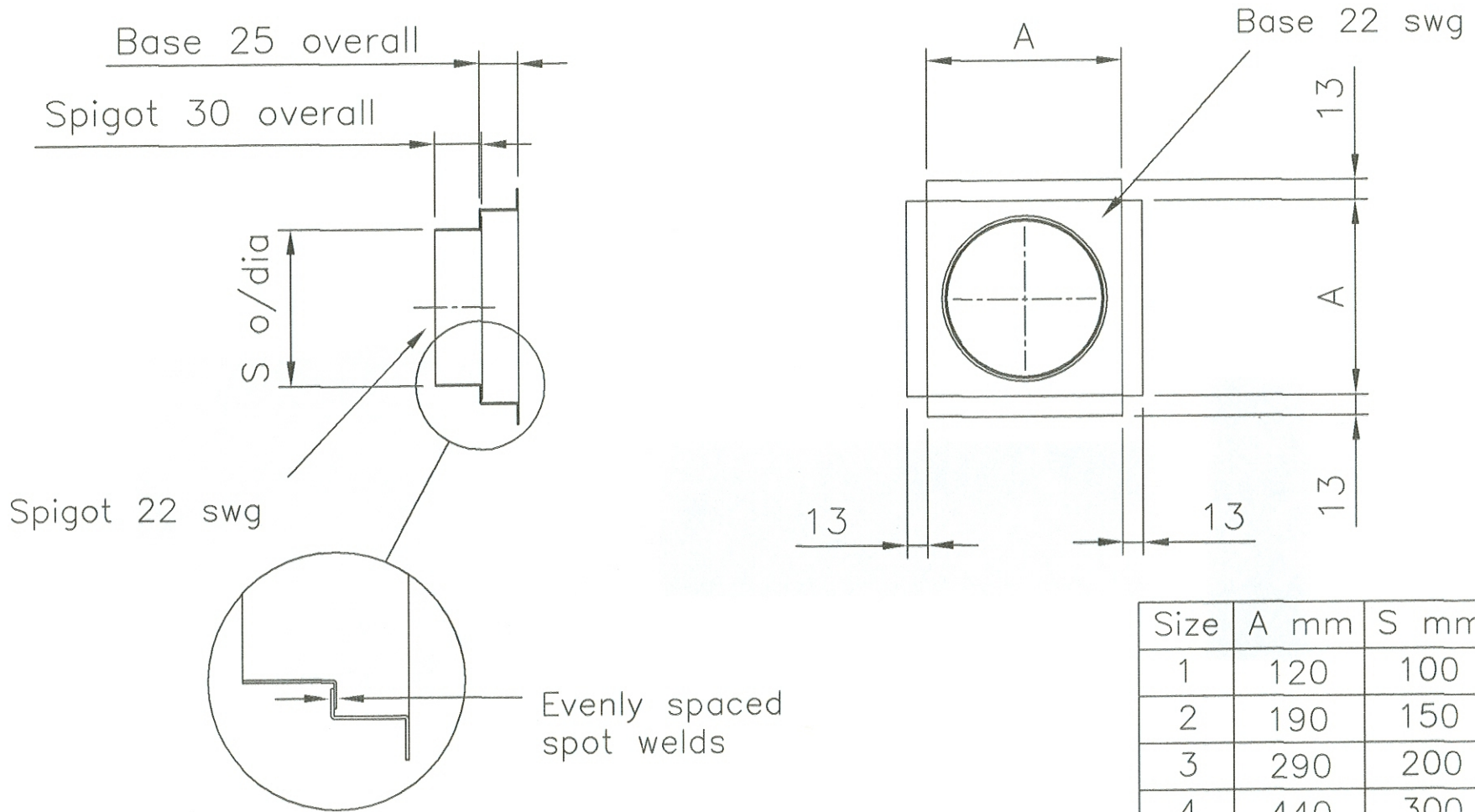

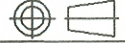


All folds as tight as possible.



Size	A mm	S mm
1	120	100
2	190	150
3	290	200
4	440	300

Note: All dimensions are plus or minus 2mm

						Do not scale, if in doubt ask		 RCM Products Limited 19 Burners Lane, Kiln Farm Milton Keynes. MK11 3HA Telephone 01908 263131 Fax 10908 265454	Drawn <i>DTW</i>	Checked	Date 02/06/03
						Dimensions are in millimetres			Project General		
						Tolerances unless otherwise stated are... Lengths ± 1 mm Angles ± 1°		Title Spigot Plates			
						Third Angle Projection 		Scale:- Not to Scale		Drawing number 990416 Issue 1	
Issue	Date	Change	Issue	Date	Change	<small>This drawing is copyright protected and is the property of RCM Products Limited and it may not be subjected to patents or design registration in part or full. It may not be copied or disclosed to any third party for any purpose except as authorized in writing by RCM Products Ltd by whom it is issued.</small>					