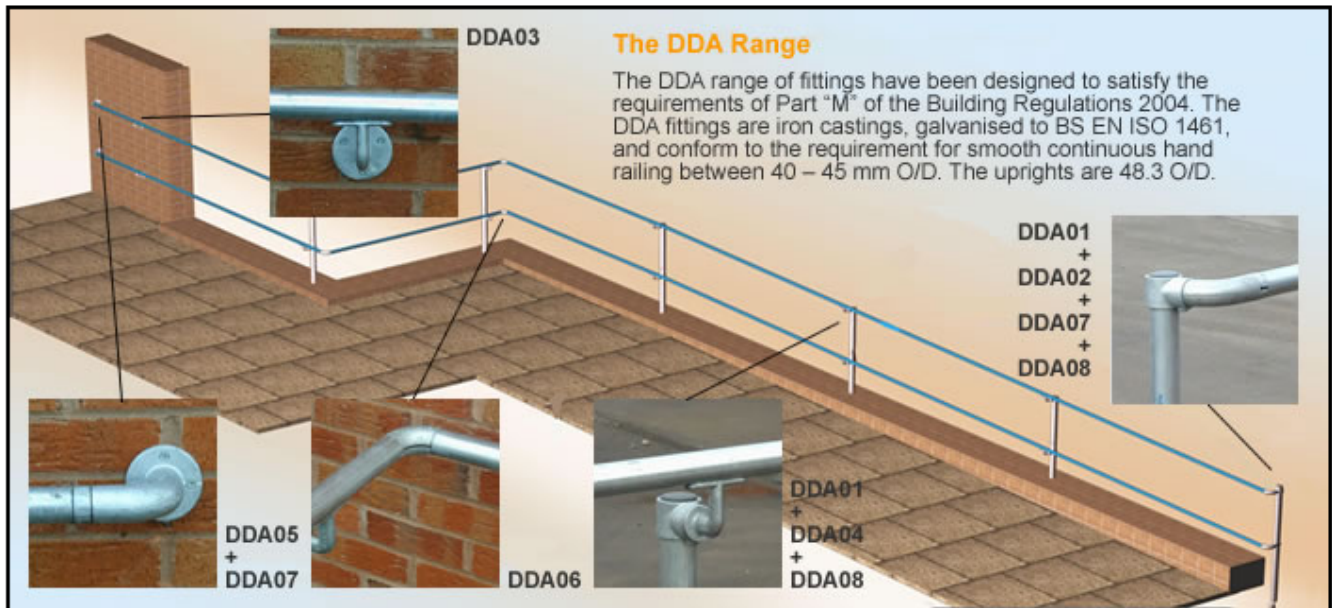
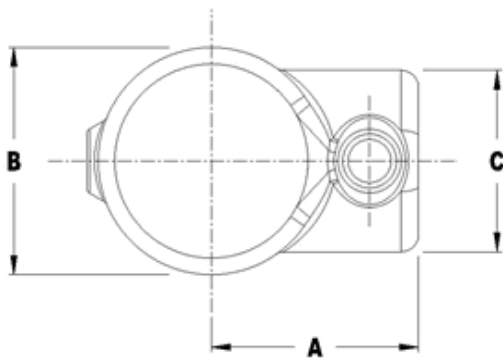


DDA Range



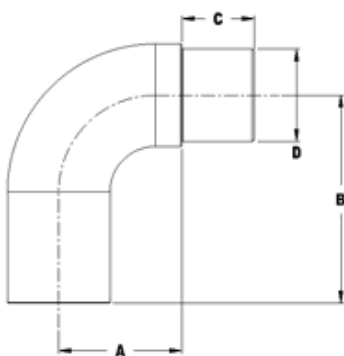
DDA01 UPRIGHT CONNECTOR



Connector for attaching the DDA04 intermediate bracket or the DDA02 handrail connector to the 48.3mm o/d upright.

TYPE	A	B	C	Kg
DDA01	55	40	48.3	0.38

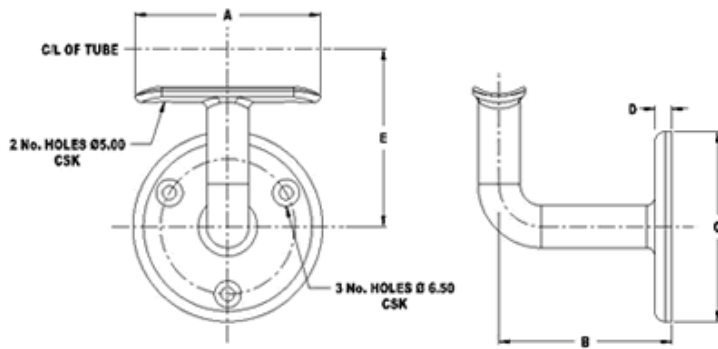
DDA02 HANDRAIL CONNECTOR



Connector for attaching the end of the 42.4mm o/d hand rail tube at 90° to the 48.3mm o/d upright.

This connector is used in conjunction with a DDA01 and a DDA07.

TYPE	A	B	C	D	Kg
DDA02	51	86	30	38	0.48

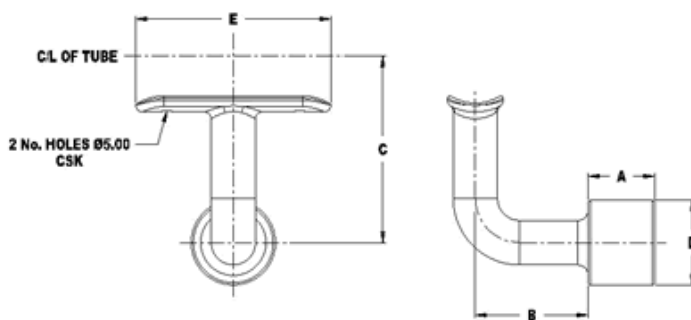


DDA03 WALL BRACKET

Bracket for supporting the 42.4mm o/d handrail tube to a wall.

The 42.4mm o/d tube is fixed to the DDA03 using either 2 x self tapping screws or 2 x pop rivets.

TYPE	A	B	C	D	E	Kg
DDA03	88	82	90	8	84	0.62

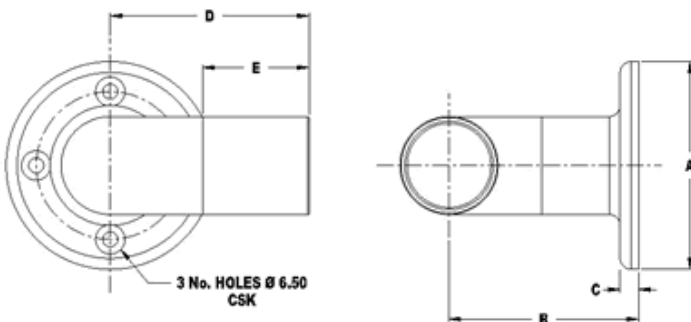


DDA04 INTERMEDIATE BRACKET

Bracket for supporting the top or middle rail tube at an upright in conjunction with a DDA01.

The 42.4mm o/d tube is fixed to the DDA04 using either 2 x self tapping screws or 2 x pop rivets.

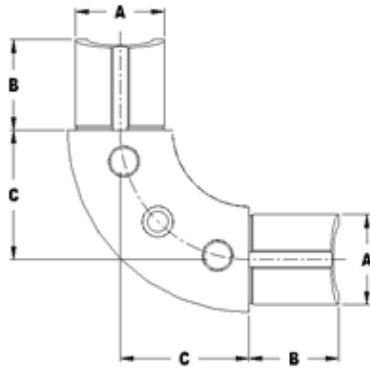
TYPE	A	B	C	D	E	Kg
DDA04	30	51	84	38	88	0.44



DDA05 END RETURN

Bracket for terminating the 42.4mm o/d handrail tube back to a wall, this bracket is used in conjunction with a DDA07.

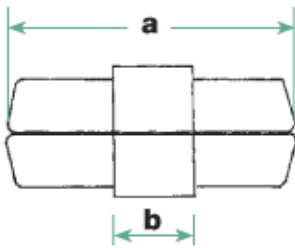
TYPE	A	B	C	D	E	Kg
DDA05	90	82	8	86	46	0.64



DDA06 90° BEND

Expanding elbow for creating a smooth 90° bend in the 42.4mm o/d tube.

TYPE	A	B	C	Kg
DDA06	33.7	35	50	0.93



DDA07 INTERNAL CONNECTOR

Expanding internal elbow for connecting to sections of 42.4mm o/d tube, or other DDA fittings as and when required.

TYPE	a	b	c	Kg
DDA07	42.4	75	19	0.35

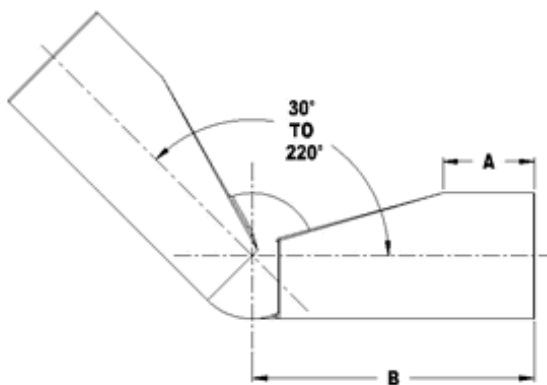


DDA08 END CAP (PLASTIC)

48.3mm o/d plastic end cap for inserting into the open tube on the top of the upright.

This fitting is a frictional fit only for a permanent fix a suitable adhesive should be used.

TYPE	Kg
DDA08	0.016



DDA09 ADJUSTABLE BEND

Fitting for creating an adjustable bend in the handrail tube.

The DDA09 is used in conjunction with 2 x DDA07.

TYPE	A	B	Kg
DDA09	31	86	0.61