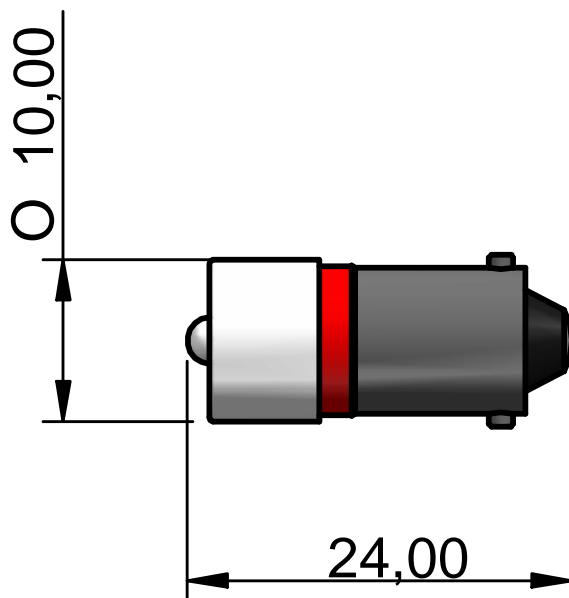


RS ITEM NO 212-503

ITEM NO BA9SR28A



<b>LED/Multiled</b>	<i>LED</i>	<b>Optimum voltage (V)</b>	<i>28vac/dc</i>	<b>Intensity</b>	<i>1750mcd</i>
<b>Mounting Size</b>	<i>10x25mm</i>	<b>Rectifier</b>	<i>Bridge Rectifier</i>		
<b>Mounting Finish</b>	<i>Ba9s</i>	<b>AC current</b>	<i>9mA</i>		
<b>Protection</b>		<b>DC current</b>	<i>17mA (max)</i>		
<b>Mount Holder</b>	<i>Ba9s</i>	<b>Voltage Tolerance(%)</b>	<i>10%</i>		
<b>Chip Qty</b>	<i>1</i>	<b>Optimum temperature (°C)</b>	<i>-30°C...+60°C</i>		
<b>Indicator colour</b>	<i>Red</i>	<b>Storage temperature (°C)</b>	<i>-30°C...+60°C</i>		
<b>Wavelength (nm)</b>	<i>630</i>	<b>Contact Tab x 2</b>	<i>Ba9s Cap</i>		



*Dimension in mm (typical), not to scale.  
We reserve the right to make changes without further notice to this product to improve reliability, function or design.*