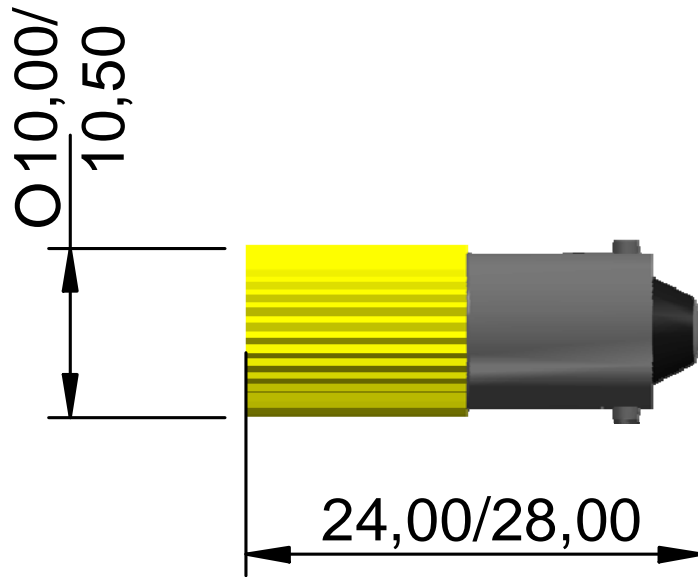


RS ITEM NO 212-339

ITEM NO BA9MYF24



| | | | | | |
|-------------------------|---------------------|---------------------------------|-------------------------|------------------------|-----------------|
| LED/Multiled | <i>Mled</i> | Optimum voltage (V) | <i>24vdc</i> | Intensity | <i>65mcd</i> |
| Mounting Size | <i>10x28mm</i> | Rectifier | <i>Protection Diode</i> | Reverse Voltage | <i>5V (max)</i> |
| Mounting Finish | <i>Ba9s</i> | AC current | | | |
| Protection | | DC current | <i>35mA</i> | | |
| Mount Holder | <i>Ba9s</i> | Voltage Tolerance(%) | <i>10%</i> | | |
| Chip Qty | <i>8</i> | Optimum temperature (°C) | <i>-30°C...+60°C</i> | | |
| Indicator colour | <i>Yellow Flash</i> | Storage temperature (°C) | <i>-30°C...+60°C</i> | | |
| Wavelength (nm) | <i>588</i> | Contact Tab x 2 | <i>Ba9s Cap</i> | | |



Dimension in mm (typical), not to scale.

We reserve the right to make changes without further notice to this product to improve reliability, function or design.