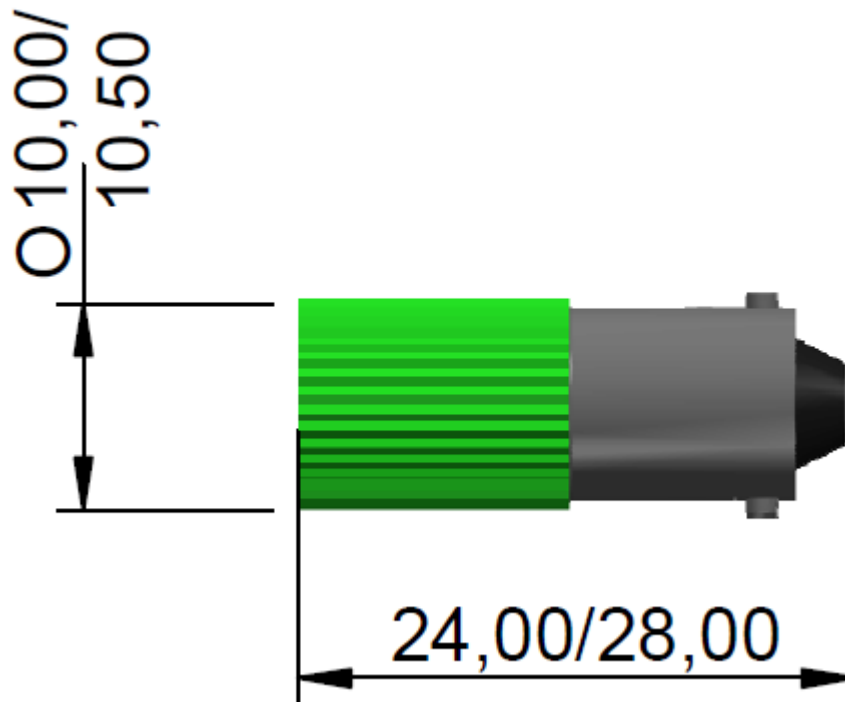


Datasheet

LED Indicator Lamp

RS Stock number 212-323



LED/Multiled	<i>Mled</i>	Optimum voltage (V)	<i>24vdc</i>	Intensity	<i>85mcd</i>
Mounting Size	<i>10x28mm</i>	Rectifier	<i>Protection Diode</i>		
Mounting Finish	<i>Ba9s</i>	AC current			
Protection		DC current	<i>35mA</i>		
Mount Holder	<i>Ba9s</i>	Voltage Tolerance(%)	<i>10%</i>		
Chip Qty	<i>8</i>	Optimum temperature (°C)	<i>-30°C...+60°C</i>		
Indicator colour	<i>Green Flash</i>	Storage temperature (°C)	<i>-30°C...+60°C</i>		
Wavelength (nm)	<i>568</i>	Contact Tab x 2	<i>Ba9s Cap</i>		