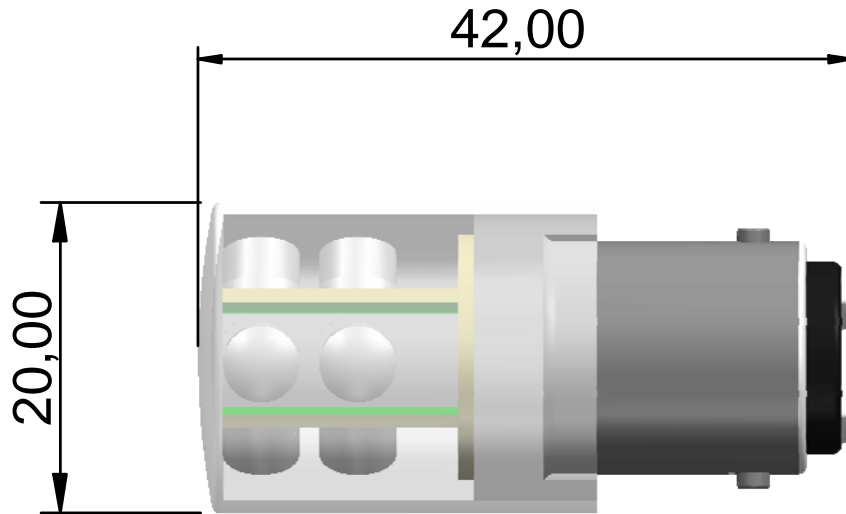


RS ITEM NO 209-327

ITEM NO TLW24A



| | | | | | |
|-------------------------|--------------|---------------------------------|----------------------|--|---------------|
| LED/Multiled | <i>LED</i> | Optimum voltage (V) | <i>24Vac/dc</i> | Intensity | <i>150mcd</i> |
| Mounting Size | <i>13mm</i> | Rectifier | | Reverse Voltage | |
| Mounting Finish | | AC current | <i>13mA</i> | 360 Illumination for Stack Light or Tower Light | |
| Protection | | DC current | <i>20mA (max)</i> | | |
| Mount Holder | <i>BA15D</i> | Voltage Tolerance(%) | <i>10%</i> | | |
| Chip Qty | <i>6</i> | Optimum temperature (°C) | <i>-30°C...+60°C</i> | | |
| Indicator colour | <i>White</i> | Storage temperature (°C) | <i>-30°C...+60°C</i> | | |
| Wavelength (nm) | | Contact Tab x 2 | <i>BA15D BaseCap</i> | | |



*Dimension in mm (typical), not to scale.
We reserve the right to make changes without further notice to this product to improve reliability, function or design.*