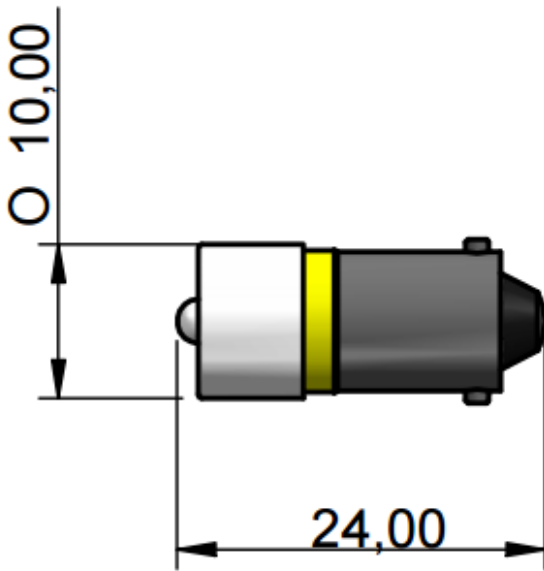


Professionally approved products.

Datasheet

Yellow BA9s LED Indicator Lamp, Single Chip, 10mm dia., 24 V ac/V dc

RS Stock number [208-661](#)



Specifications

LED/Multiled	LED	Optimum voltage (V)	24Vac/Dc	Intensity	630mcd
Mounting Size	10x25mm	Rectifier	Half Wave		
Mounting Finish		AC current	9mA		
Protection	-	DC current	17mA		
Mount Holder	Ba9	Voltage Tolerance (%)	10%		
Chip Qty	1	Optimum temperature (°C)	-30°C...+60°C		
Indicator colour	Yellow	Storage temperature (°C)	-30°C...+60°C		
Wavelength (nm)	587	Contact Tab	Ba9 Cap		



Dimension in mm (typical), not to scale.
We reserve the right to make changes without further notice to this product to improve reliability, function or design.