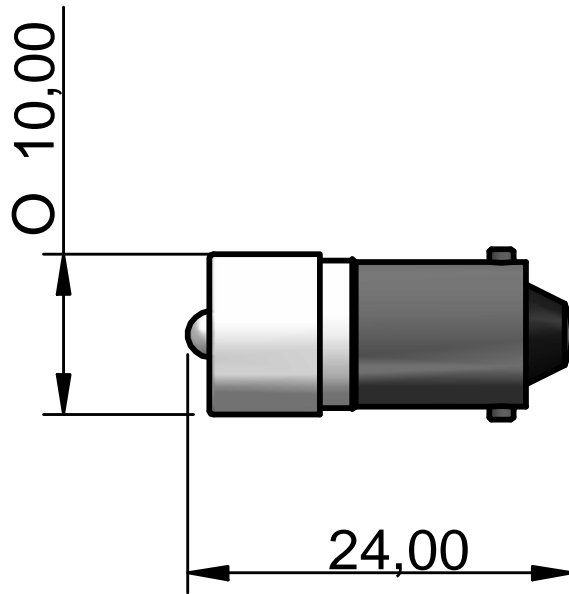


RS ITEM NO 207-703

ITEM NO BA9SW130A



| | | | | | |
|-------------------------|----------------|---------------------------------|----------------------|------------------|---------------|
| LED/Multiled | <i>LED</i> | Optimum voltage (V) | <i>130Vac/dc</i> | Intensity | <i>710mcd</i> |
| Mounting Size | <i>10x25mm</i> | Rectifier | <i>Half Wave</i> | | |
| Mounting Finish | | AC current | <i>3-6mA</i> | | |
| Protection | | DC current | | | |
| Mount Holder | <i>Ba9s</i> | Voltage Tolerance(%) | <i>10%</i> | | |
| Chip Qty | <i>1</i> | Optimum temperature (°C) | <i>-30°C...+60°C</i> | | |
| Indicator colour | <i>White</i> | Storage temperature (°C) | <i>-30°C...+60°C</i> | | |
| Wavelength (nm) | | Contact Tab x 2 | <i>Ba9s Cap</i> | | |



*Dimension in mm (typical), not to scale.
We reserve the right to make changes without further notice to this product to improve reliability, function or design.*