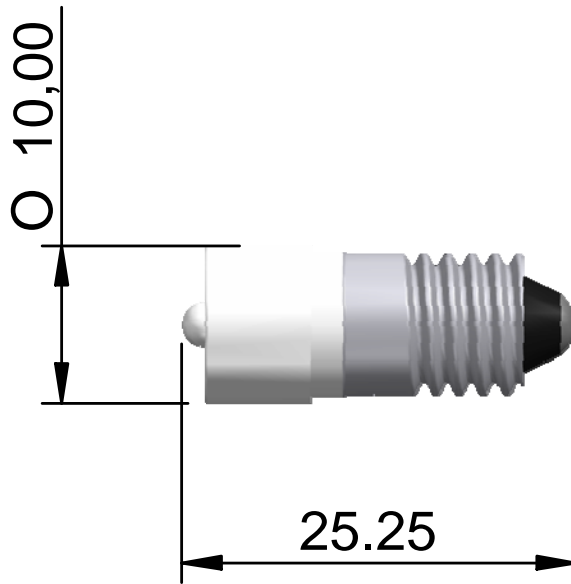


RS ITEM NO 204-726

ITEM NO E10SW130A



LED/Multiled	<i>LED</i>	Optimum voltage (V)	<i>130Vac</i>	Intensity	<i>710mcd</i>
Mounting Size	<i>10x25mm</i>	Rectifier	<i>Half Wave</i>		
Mounting Finish		AC current	<i>3mA-6mA</i>		
Protection	<i>-</i>	DC current	<i>-</i>		
Mount Holder	<i>E10</i>	Voltage Tolerance (%)	<i>10%</i>		
Chip Qty	<i>1</i>	Optimum temperature (°C)	<i>-30°C...+60°C</i>		
Indicator colour	<i>White</i>	Storage temperature (°C)	<i>-30°C...+60°C</i>		
Wavelength (nm)		Contact Tab	<i>E10 Cap</i>		



Dimension in mm (typical), not to scale.

We reserve the right to make changes without further notice to this product to improve reliability, function or design.