

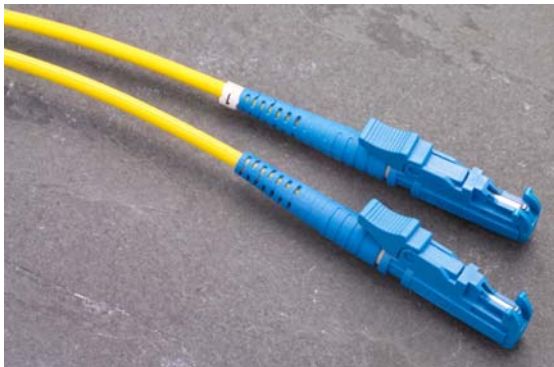
## 9/125 (OS1) Optical Fibre Patchcords

Optical Fibre patchcords are a defining factor in ensuring your network performs to the highest level.

A patchcord can be split into three key components;

- the connector
- the cable
- the manufacturing process.

These three areas all contribute to the performance of a patchcord, but it is the



manufacturing fibre optic cable assemblies from using Biconic and SMA through to ST, SC to today's Small Form Factor (SFF) connectors like the LC, MU or MT-RJ.



- Multimode & Singlemode applications ST/SC/FC/LC/E2000/MU Connector types
- Ultra polish & Angle polish options available all terminations are manufactured to exceed performance parameters set by industry standards
- Tyco AMP approved UK manufacturing facility
- Fast turn around of non-standard requirements
- Full tracability & test certification supplied with each assembly
- 900µm tight buffered fibre optic cable

# Specifications

## Patchcord Specification

### Mechanical

Length: 1m to 10m ± 10mm  
 Other lengths available to order

Split Length (Duplex): 150mm ± 5mm

### Product Packaging

Each patch cord is packaged individually and individually identified for traceability, test certification is supplied for each assembly.

## Optical fibre and cable performance

### Attenuation (dB/km)

(1310/1550) 0.38/0.24

### Sheath colour

Yellow

### Strength Members

Aramid strength members

### Fire Performance

LSZH for Internal/External Applications

Flame Resistance IEC 60332-1

## Connector Specification

### Optical Performance (Singlemode)

Insertion loss: Max. 0.3 dB Typical 0.2 dB

Return Loss: UPC > 50dB, APC >60dB

### Optical Performance (MT-RJ)

Insertion loss: Max. 0.5 dB

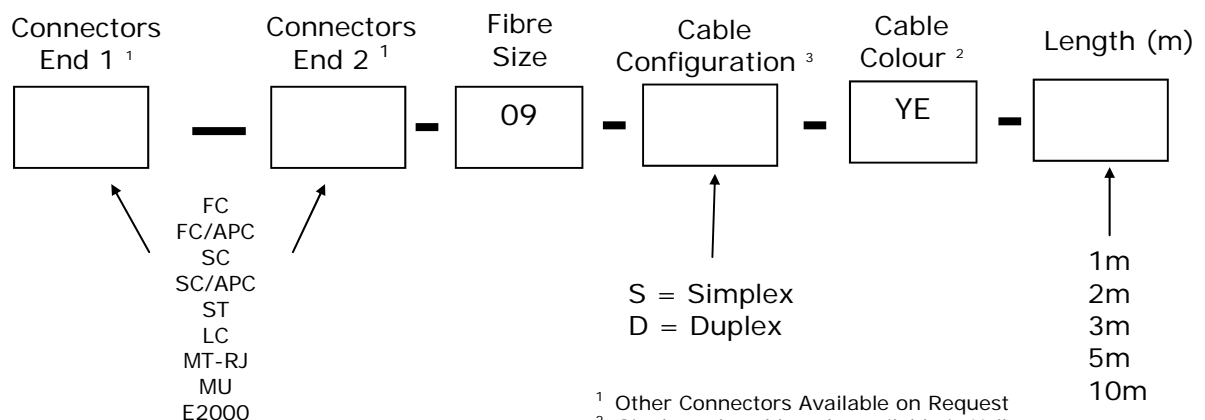
### Operating Temperature

-40°C to +85°C

Intermateability Optically and mechanically compatible with all equivalent connectors.

Compliant with IEC 874-14.

## Ordering Information



<sup>1</sup> Other Connectors Available on Request

<sup>2</sup> Singlemode cable only available in Yellow

<sup>3</sup> MT-RJ is only available in MiniZip