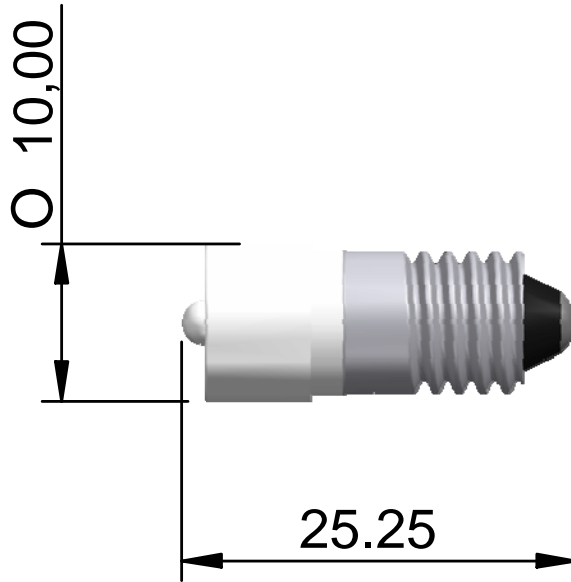


RS ITEM NO 204-530

ITEM NO E10SW28A-NA



<b>LED/Multiled</b>	<i>LED</i>	<b>Optimum voltage (V)</b>	<i>28Vac/dc</i>	<b>Intensity</b>	<i>1000mcd</i>
<b>Mounting Size</b>	<i>10x28</i>	<b>Rectifier</b>	<i>Half Wave</i>		
<b>Mounting Finish</b>		<b>AC current</b>	<i>7mA</i>		
<b>Protection</b>	<i>-</i>	<b>DC current</b>	<i>19mA</i>		
<b>Mount Holder</b>	<i>E10</i>	<b>Voltage Tolerance (%)</b>	<i>10%</i>		
<b>Chip Qty</b>	<i>1</i>	<b>Optimum temperature (°C)</b>	<i>-30°C...+60°C</i>		
<b>Indicator colour</b>	<i>White</i>	<b>Storage temperature (°C)</b>	<i>-30°C...+60°C</i>		
<b>Wavelength (nm)</b>		<b>Contact Tab</b>	<i>E10Cap</i>		



*Dimension in mm (typical), not to scale.*

*We reserve the right to make changes without further notice to this product to improve reliability, function or design.*