

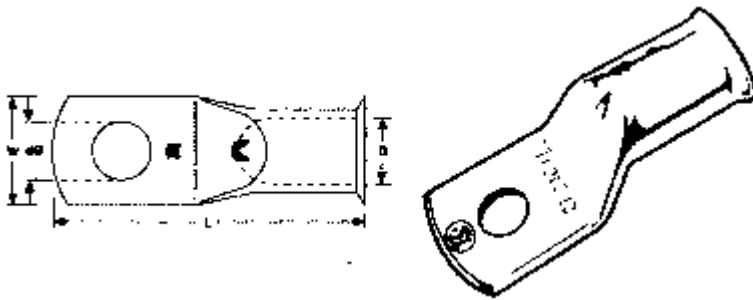
Professionally approved products.

Datasheet

Uninsulated Tin Plated Crimp Ring Terminal

RS Stock number [119-176](#)

Dimensions: (mm)



Specifications

- Contact Material: Copper
- Contact Plating: Tin
- Inner Ring Diameter: 8.4mm
- Insulation: Uninsulated
- Overall Length: 28.3mm
- Series: CT
- Shrouded :Unshrouded
- Stud Size: M8
- Wire Size: 6 mm²