

Inrush current limiter **ESG 5**



Picture shows ESG 4, ESG 5

Advantages

- Dynamic limit times for optimum inrush of consumers with high inrush currents
- Current-controlled with no-load detection, hence full current limit protection, even if momentarily switched back on
- Very good moisture protection thanks to XtraDenseFill resin encapsulation
- May be used anywhere for stationary and mobile applications
- High degree of protection
- ESG 4: 2 x 1.4 m connecting cable with BS 1363 safety plug and safety connector (UK)
- ESG 5: 2 x 1.4 m connecting cable with NEMA5-15 safety plug and safety connector (USA)

Applications

Inrush current limiting option for limiting the inrush current in power tools, transformers and other consumers with high switch-on or inrush currents.

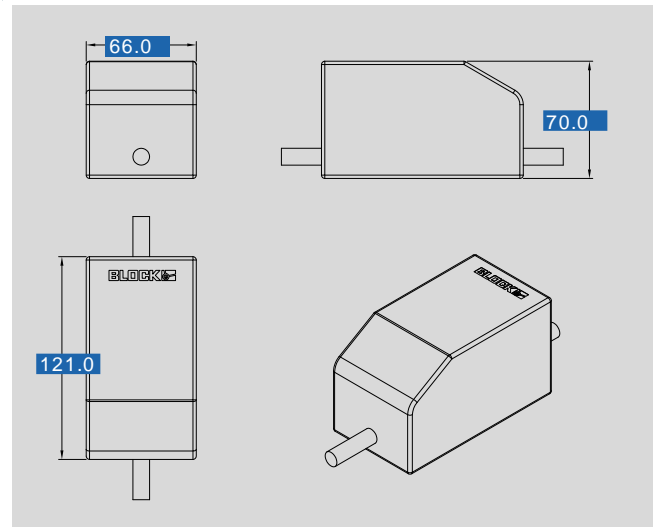
Approvals



Inrush current limiter ESG 5

Type		ESG 5
Electrical data	Operating data	
	Rated voltage	115 Vac
	Voltage range	99 ... 132 Vac
	Rated frequency	50 - 60 Hz
	Rated current	13 A
	Internal impedance	4.40 Ω
	Approvals	
	Approvals	cURus
	Environment	
	Ambient temperature max.	40 °C
Safety and protection		
Safety	integrated, non-replaceable thermal fuse in the input circuit	
Type	Resin encapsulated transformer	
Protection index	housing IP 65, housing connections IP 20	
Safety class (prepared)	I	
Order numbers		
Order Number	ESG 5	

Type		ESG 5
Mechanical data	Input	
	Terminals Input	Connecting cable with NEMA5-15 protected contact plug (USA)
	Output	
	Terminals Output	Connecting cable with NEMA5-15 protected contact coupling (USA)
Measures and weights		
	Weight	0.75 kg
	Dimensions W x H x D	66 x 70 x 121 mm



Subjects to change.