

Identification

| | | | |
|------------------|--------------------|-----------------|------------------------|
| Type Designation | LR3 48-5/16 | Type of reactor | 3~ Line Reactor |
| Series | LR3 | Core Rating | 665.92 var |
| Core type | 3UI 75/26.5 | Drive HP | 10 |


Technical Data

| | | |
|------------------------|--------|------------------|
| No. of phase | | 3 |
| Circuit type | | III0 |
| Rated Voltage | [V] | 480 |
| Rated current | [A] | 16.0 |
| Rated Frequency | [Hz] | 50 - 60 |
| Impedance | [%] | 5.0 |
| Inductance L | [mH] | 2.300 |
| L tolerance | [%] | ±10% |
| Linearity | | 150% In |
| Test voltage | [kV] | 4.0 |
| Isolation System Class | | class 155 |



Operating conditions

| | | |
|----------------------|--------|----------------------|
| Ambient temperature | [°C] | -10 ... +40°C |
| Ambient temperature | [F] | 14 ... 104°F |
| Type of cooling | | AN |
| Operating conditions | | 24/7 |

Standards

| | |
|--|--|
| Type: VDE 0570 / EN 61 558 Part 1 VDE 0570 / EN 61 558 Part 20 | Signs  |
|--|--|

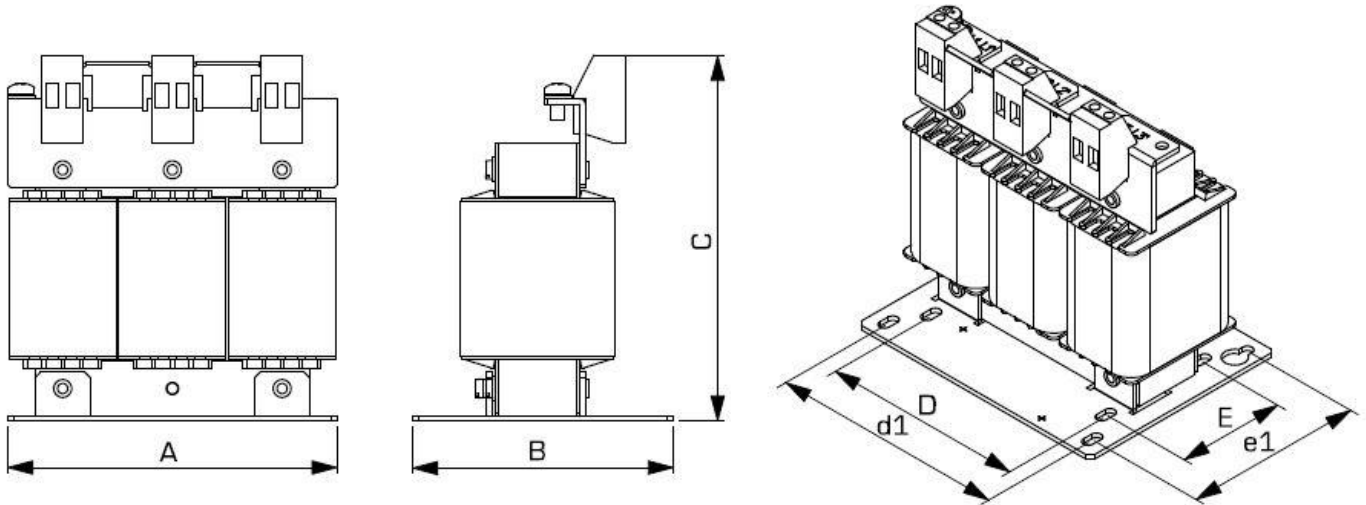
Approvals

| | | | |
|-----------|---|---------|------|
| UL 508 |  | E219022 | NMTR |
| UL 5085-1 |  | E103521 | XPTQ |

Variations may apply due to material's and production's tolerances. Objected to modifications without notice.

| | | | | |
|----------------|----------|--|-----------|--------|
| Original Date: | 15/04/20 | Observe protection clause to ISO 16016 | Index | 0 |
| Name: | Lüning | | Doc. type | |
| Date: | 15/05/06 | | | |
| Checked: | Wesner | | Pages | 1 of 2 |

Dimensions / Mounting in Inches



| A | B | C* | F | D | d1 | d2 | E | e1 | e2 | Drill |
|------|------|------|---|------|------|----|------|------|----|-------|
| 6.10 | 3.74 | 6.42 | - | 4.45 | 5.31 | - | 1.97 | 3.15 | - | 0.19 |
| | | | | | | | | | | 0.19 |
| | | | | | | | | | | - |

* = Typical variable air gab

Weight

| | | |
|--------|---------|------|
| Weight | [kg] | 3.77 |
| | [lbs] | 8.31 |

Notes

Technical specifications in the drawing are not binding. General tolerance to DIN 7168-m. Subject to change.
Mounting plates also available in stainless steel as OEM application. Ask for details.

| | | | | |
|----------------|----------|--|-----------|--------|
| Original Date: | 15/04/20 | Observe protection clause to ISO 16016 | Index | 0 |
| Name: | Lüning | | Doc. type | |
| Date: | 15/05/06 | | | |
| Checked: | Wesner | | Pages | 2 of 2 |