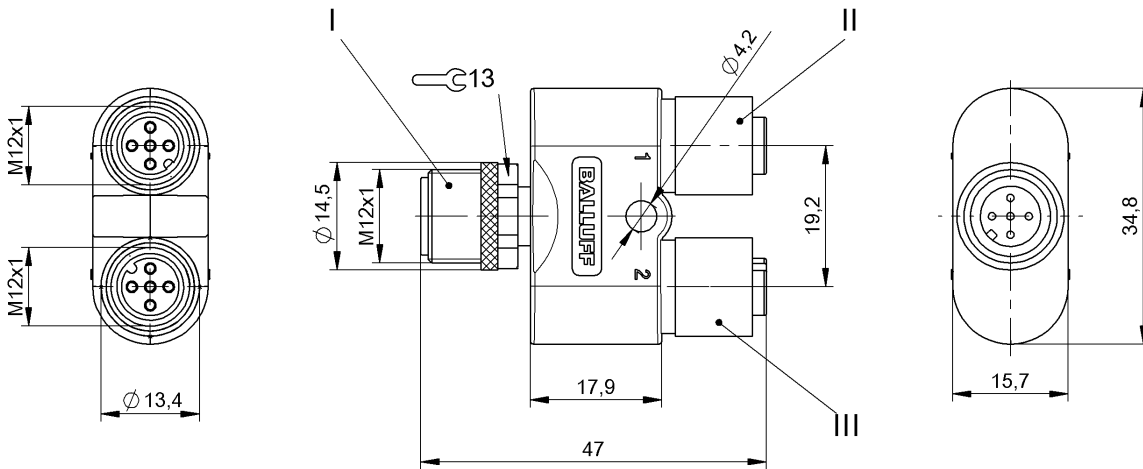


BCC M415-M415-M415-U0003-000
BCC089P



Electrical connection

Number of pins 5/5/5

Electrical data

Rated current (40 °C) 4.0 A

Environmental conditions

Ambient temperature -25...80 °C
Protection type IEC 60529 IP67 /IP67/IP67

General data

Approval/Conformity cURus

Material

Material cover nut Brassnickel plates
Material grip PA 6.6GF

Remarks

Enclosure rating per IEC 60529, only in screwed state with the associated mating piece.

Connector view



BCC M415-M415-M415-U0003-000
BCC089P

Wiring Diagram

