

SEALING PLUG FOR SPARE ROUND COMMAND POINTS,
PLASTIC, BLACK



Figure similar

| | |
|-----------------------|----------------------------------|
| product brand name | SIRIUS ACT |
| Product designation | Commanding and signaling devices |
| Design of the product | Sealing plug |

Actuator:

| | |
|---|---------|
| Shape of the actuating element | round |
| Outer diameter of the actuating element | 29.5 mm |

General technical data:

| | |
|--|-------------------------|
| Protection class IP | IP66, IP67, IP69(IP69K) |
| Equipment marking | |
| <ul style="list-style-type: none"> • acc. to DIN EN 61346-2 • acc. to DIN EN 81346-2 | S S |

Ambient conditions:

| | |
|--|----------------------------------|
| Ambient temperature | |
| <ul style="list-style-type: none"> • during operation • during storage | -25 ... +70 °C -40 ... +80 °C |
| Environmental category during operation acc. to IEC 60721 | 3K6, 3C3, 3S2, 3M6 |

Installation/ mounting/ dimensions:

| | |
|-----------------------------------|---------|
| Shape of the installation opening | round |
| Mounting diameter | 22 mm |
| Mounting height | 6.5 mm |
| Installation width | 29.5 mm |
| Installation depth | 24.2 mm |

Accessories:

| | |
|-----------------------|---------|
| Material of accessory | Plastic |
| Color of accessory | black |

Certificates/ approvals:

| | |
|---------------------------|-------|
| Declaration of Conformity | other |
|---------------------------|-------|



EG-Konf.

[Bestätigungen](#)

Further information

Information- and Downloadcenter (Catalogs, Brochures,...)

<http://www.siemens.com/industrial-controls/catalogs>

Industry Mall (Online ordering system)

<http://www.siemens.com/industrymall>

Cax online generator

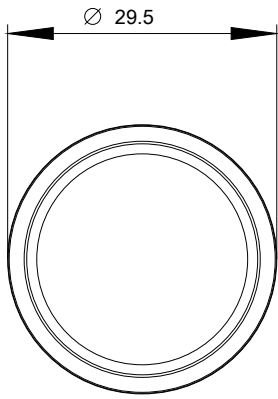
<http://support.automation.siemens.com/WW/CAXorder/default.aspx?lang=en&mlfb=3SU19000FA100AA0>

Service&Support (Manuals, Certificates, Characteristics, FAQs,...)

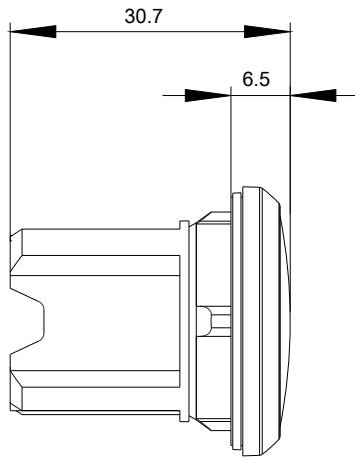
<https://support.industry.siemens.com/cs/ww/en/ps/3SU19000FA100AA0>

Image database (product images, 2D dimension drawings, 3D models, device circuit diagrams, EPLAN macros, ...)

http://www.automation.siemens.com/bilddb/cax_de.aspx?mlfb=3SU19000FA100AA0&lang=en



last modified:



25.08.2015