

INSERT LABEL FOR ILLUMINATED PUSHBUTTON, ROUND,
CLEAR WITH BLACK LETTERING, WITH INSCRIPTION: START



Figure similar

product brand name	SIRIUS ACT
Product designation	Commanding and signaling devices
Design of the product	Inscription plate

General technical data:

Shock resistance	
<ul style="list-style-type: none"> for railway applications acc. to DIN EN 61373 	Category 1, Class B
Vibration resistance	
<ul style="list-style-type: none"> for railway applications acc. to DIN EN 61373 	Category 1, Class B

Accessories:

Material of accessory	Plastic
Mounting type of label	insert
Marking of inscription plate	Start.
Shape of inscription plate	Round

Certificates/ approvals:

For use in hazardous locations	Declaration of Conformity	other
--------------------------------	---------------------------	-------

[Herstellereklärung](#)



EG-Konf.

[Bestätigungen](#)

Further information

Information- and Downloadcenter (Catalogs, Brochures,...)

<http://www.siemens.com/industrial-controls/catalogs>

Industry Mall (Online ordering system)

<https://mall.industry.siemens.com/mall/en/en/Catalog/product?mlfb=3SU19000AB710DT0>

Cax online generator

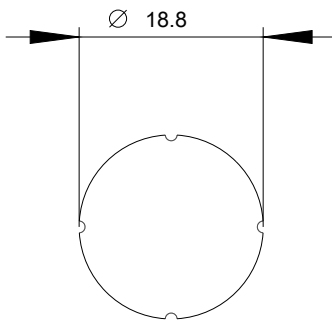
<http://support.automation.siemens.com/WW/CAXorder/default.aspx?lang=en&mlfb=3SU19000AB710DT0>

Service&Support (Manuals, Certificates, Characteristics, FAQs,...)

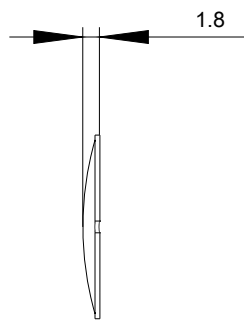
<https://support.industry.siemens.com/cs/ww/en/ps/3SU19000AB710DT0>

Image database (product images, 2D dimension drawings, 3D models, device circuit diagrams, EPLAN macros, ...)

http://www.automation.siemens.com/bilddb/cax_de.aspx?mlfb=3SU19000AB710DT0&lang=en



last modified:



18.09.2015