

CONTACT MODULE WITH 1 CONTACT ELEMENT, 1NO, SPRING-TYPE TERMINAL, FOR FRONT PLATE MOUNTING



Figure similar

product brand name	SIRIUS ACT
Product designation	Commanding and signaling devices
Design of the product	Contact module

Contact block/ lampholder:

<b>Suitability for integration</b>	
• pressure selection button	Yes
• front element	Yes
• Pendant pushbutton	Yes
• Pendant switch	Yes

General technical data:

<b>Product function</b>	
• positive opening	No
<b>Insulation voltage</b>	
• Rated value	500 V
<b>Surge voltage resistance Rated value</b>	
	6 kV
<b>Protection class IP</b>	
• of the enclosure	IP40
• of the terminal	IP20

<b>Degree of pollution</b>	3
<b>Shock resistance</b>	
<ul style="list-style-type: none"> <li>• acc. to IEC 60068-2-27</li> <li>• for railway applications acc. to DIN EN 61373</li> </ul>	Sinusoidal half-wave 50 g / 11 ms Category 1, Class B
<b>Vibration resistance</b>	
<ul style="list-style-type: none"> <li>• acc. to IEC 60068-2-6</li> <li>• for railway applications acc. to DIN EN 61373</li> </ul>	10 ... 500 Hz: 5g Category 1, Class B
<b>Operating frequency maximum</b>	3 600 1/h
<b>Mechanical service life (switching cycles)</b>	
<ul style="list-style-type: none"> <li>• typical</li> </ul>	10 000 000
<b>Electrical endurance (switching cycles)</b>	
<ul style="list-style-type: none"> <li>• typical</li> </ul>	10 000 000
<b>Thermal current</b>	10 A
<b>Equipment marking</b>	
<ul style="list-style-type: none"> <li>• acc. to DIN EN 61346-2</li> <li>• acc. to DIN EN 81346-2</li> </ul>	S S
<b>Design of the fuse link for short-circuit protection of the auxiliary switch with type of assignment 1 required</b>	gG / Dz 10 A, quick-acting / Dz 10 A
<b>Continuous current of the C characteristic MCB</b>	10 A

#### Power Electronics:

<b>Contact reliability</b>	One maloperation per 100 million (17 V, 5 mA), one maloperation per 10 million (5 V, 1 mA)
----------------------------	--

#### Auxiliary circuit:

<b>Design of the contact of the auxiliary contacts</b>	Silver alloy
<b>Number of NC contacts</b>	
<ul style="list-style-type: none"> <li>• for auxiliary contacts</li> </ul>	0
<b>Number of NO contacts</b>	
<ul style="list-style-type: none"> <li>• for auxiliary contacts</li> <li>— leading contact</li> </ul>	1 0
<b>Number of CO contacts</b>	
<ul style="list-style-type: none"> <li>• for auxiliary contacts</li> </ul>	0
<b>Operating current at AC-12</b>	
<ul style="list-style-type: none"> <li>• at 24 V Rated value</li> <li>• at 48 V Rated value</li> <li>• at 110 V Rated value</li> <li>• at 230 V Rated value</li> <li>• at 400 V Rated value</li> </ul>	10 A 10 A 10 A 8 A 8 A
<b>Operating current at AC-15</b>	
<ul style="list-style-type: none"> <li>• at 24 V Rated value</li> <li>• at 48 V Rated value</li> <li>• at 110 V Rated value</li> </ul>	6 A 6 A 6 A

<ul style="list-style-type: none"> <li>• at 230 V Rated value</li> <li>• at 400 V Rated value</li> <li>• at 500 V Rated value</li> </ul>	6 A 3 A 1.4 A
<b>Operating current at DC-12</b>	
<ul style="list-style-type: none"> <li>• at 24 V Rated value</li> <li>• at 48 V Rated value</li> <li>• at 110 V Rated value</li> <li>• at 230 V Rated value</li> <li>• at 400 V Rated value</li> <li>• at 500 V Rated value</li> </ul>	10 A 5 A 2.5 A 1 A 0.3 A 0.3 A
<b>Operating current at DC-13</b>	
<ul style="list-style-type: none"> <li>• at 24 V Rated value</li> <li>• at 48 V Rated value</li> <li>• at 110 V Rated value</li> <li>• at 230 V Rated value</li> <li>• at 400 V Rated value</li> <li>• at 500 V Rated value</li> </ul>	3 A 1.5 A 0.7 A 0.3 A 0.1 A 0.1 A

#### Connections/ Terminals:

<b>Type of electrical connection</b>	spring-loaded terminals
--------------------------------------	-------------------------

#### Ambient conditions:

<b>Ambient temperature</b>	
<ul style="list-style-type: none"> <li>• during operation</li> <li>• during storage</li> </ul>	-25 ... +70 °C -40 ... +80 °C
<b>Environmental category during operation acc. to IEC 60721</b>	3K6, 3C3, 3S2, 3M6

#### Installation/ mounting/ dimensions:

<b>Mounting type</b>	
<ul style="list-style-type: none"> <li>• of modules and accessories</li> </ul>	Front plate mounting
<b>Height</b>	36 mm
<b>Width</b>	9.8 mm
<b>Depth</b>	27.7 mm

#### Certificates/ approvals:

For use in hazardous locations	Declaration of Conformity	other	Railway

[Herstellereklärung](#)



[Bestätigungen](#)

[Bestätigungen](#)

## Further information

### Information- and Downloadcenter (Catalogs, Brochures,...)

<http://www.siemens.com/industrial-controls/catalogs>

### Industry Mall (Online ordering system)

<http://www.siemens.com/industrymall>

### Cax online generator

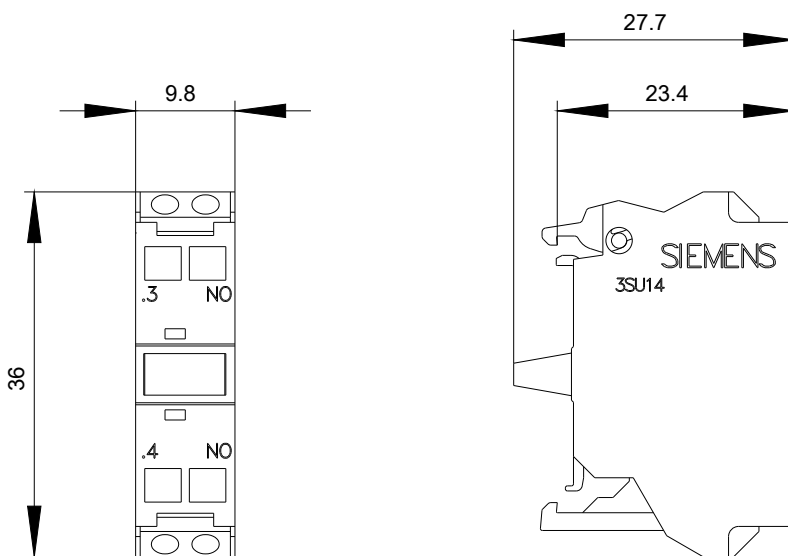
<http://support.automation.siemens.com/WW/CAXorder/default.aspx?lang=en&mfb=3SU14001AA103BA0>

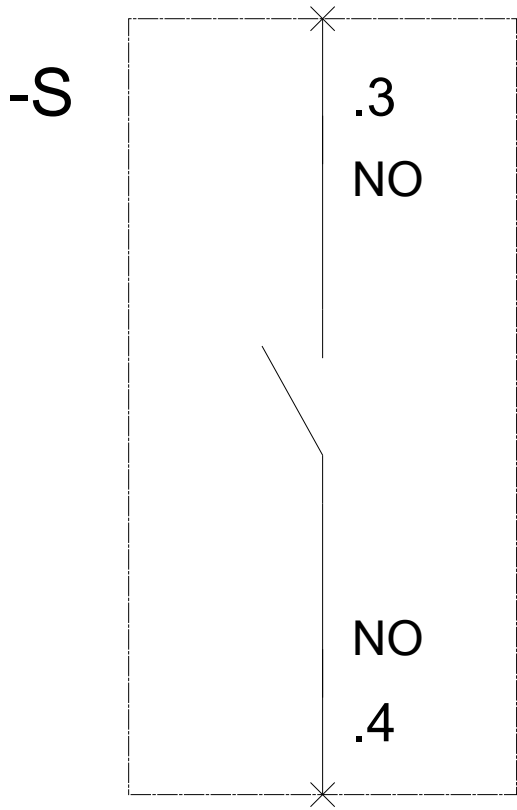
### Service&Support (Manuals, Certificates, Characteristics, FAQs,...)

<https://support.industry.siemens.com/cs/ww/en/ps/3SU14001AA103BA0>

### Image database (product images, 2D dimension drawings, 3D models, device circuit diagrams, EPLAN macros, ...)

[http://www.automation.siemens.com/bilddb/cax\\_de.aspx?mfb=3SU14001AA103BA0&lang=en](http://www.automation.siemens.com/bilddb/cax_de.aspx?mfb=3SU14001AA103BA0&lang=en)





last modified:

13.08.2015