

ILLUMINATED PUSHBUTTON, 22MM, ROUND, METAL, SHINY, WHITE, FLAT BUTTON, MOMENTARY CONTACT TYPE



Figure similar

| | |
|-----------------------|----------------------------------|
| product brand name | SIRIUS ACT |
| Product designation | Commanding and signaling devices |
| Design of the product | Pushbutton |

Actuator:

| | |
|---|---|
| Design of the operating mechanism | illuminated pushbutton with flat button |
| Manner of function of the actuating element | Momentary contact type |
| Product expansion optional Light source | Yes |
| Color | |
| • of the actuating element | White |
| Material of the actuating element | plastic |
| Shape of the actuating element | round |
| Outer diameter of the actuating element | 29.5 mm |
| Type of unlocking device | without |

Front ring:

| | |
|------------------------------|-------------------|
| Product component front ring | Yes |
| Design of the front ring | Standard |
| Material of the front ring | Metal, high gloss |
| Color of the front ring | silver |

General technical data:

| | |
|--|-----------------------------------|
| Protection class IP | IP66, IP67, IP69(IP69K) |
| Shock resistance <ul style="list-style-type: none">• acc. to IEC 60068-2-27 | Sinusoidal half-wave 50 g / 11 ms |
| Vibration resistance <ul style="list-style-type: none">• acc. to IEC 60068-2-6 | 10 ... 500 Hz: 5g |
| Operating frequency maximum | 3 600 1/h |
| Mechanical service life (switching cycles) <ul style="list-style-type: none">• typical | 3 000 000 |
| Equipment marking <ul style="list-style-type: none">• acc. to DIN EN 61346-2• acc. to DIN EN 81346-2 | S S |

Ambient conditions:

| | |
|--|----------------------------------|
| Ambient temperature <ul style="list-style-type: none">• during operation• during storage | -25 ... +70 °C -40 ... +80 °C |
| Environmental category during operation acc. to IEC 60721 | 3K6, 3C3, 3S2, 3M6 |

Installation/ mounting/ dimensions:

| | |
|--|---------|
| Height | 29.5 mm |
| Width | 29.5 mm |
| Shape of the installation opening | round |
| Mounting diameter | 22 mm |
| Mounting height | 11 mm |
| Installation width | 29.5 mm |
| Installation depth | 24.3 mm |

Certificates/ approvals:

Declaration of Conformity

other

[Bestätigungen](#)



EG-Konf.

Further information

Information- and Downloadcenter (Catalogs, Brochures,...)

<http://www.siemens.com/industrial-controls/catalogs>

Industry Mall (Online ordering system)

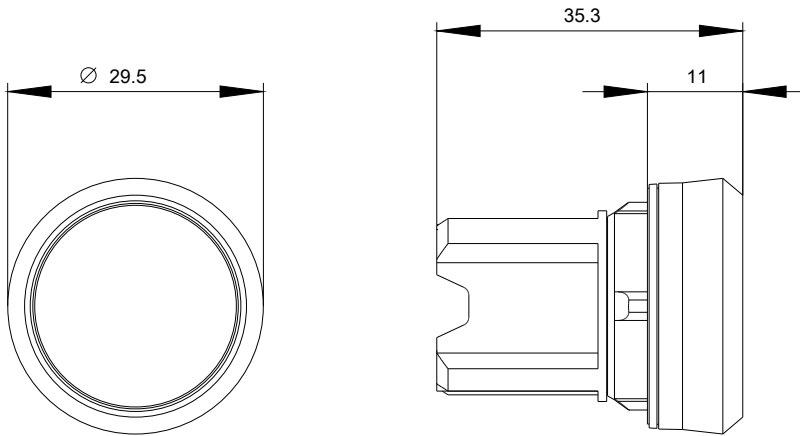
<https://mall.industry.siemens.com/mall/en/en/Catalog/product?mlfb=3SU10510AB600AA0>

Cax online generator

<http://support.automation.siemens.com/WW/CAXorder/default.aspx?lang=en&mlfb=3SU10510AB600AA0>

Service&Support (Manuals, Certificates, Characteristics, FAQs,...)

<https://support.industry.siemens.com/cs/ww/en/ps/3SU10510AB600AA0>



last modified:

18.09.2015