

ILLUMINATED PUSHBUTTON, 22MM, ROUND, METAL, SHINY, GREEN, FLAT BUTTON, MOMENTARY CONTACT TYPE



Figure similar

product brand name	SIRIUS ACT
Product designation	Commanding and signaling devices
Design of the product	Pushbutton

**Actuator:**

Design of the operating mechanism	illuminated pushbutton with flat button
Manner of function of the actuating element	Momentary contact type
Product expansion optional Light source	Yes
Color	
• of the actuating element	Green
Material of the actuating element	plastic
Shape of the actuating element	round
Outer diameter of the actuating element	29.5 mm
Type of unlocking device	without

**Front ring:**

Product component front ring	Yes
Design of the front ring	Standard
Material of the front ring	Metal, high gloss
Color of the front ring	silver

#### General technical data:

<b>Protection class IP</b>	IP66, IP67, IP69(IP69K)
<b>Shock resistance</b> <ul style="list-style-type: none"><li>• acc. to IEC 60068-2-27</li></ul>	Sinusoidal half-wave 50 g / 11 ms
<b>Vibration resistance</b> <ul style="list-style-type: none"><li>• acc. to IEC 60068-2-6</li></ul>	10 ... 500 Hz: 5g
<b>Operating frequency maximum</b>	3 600 1/h
<b>Mechanical service life (switching cycles)</b> <ul style="list-style-type: none"><li>• typical</li></ul>	3 000 000
<b>Equipment marking</b> <ul style="list-style-type: none"><li>• acc. to DIN EN 61346-2</li><li>• acc. to DIN EN 81346-2</li></ul>	S S

#### Ambient conditions:

<b>Ambient temperature</b> <ul style="list-style-type: none"><li>• during operation</li><li>• during storage</li></ul>	-25 ... +70 °C -40 ... +80 °C
<b>Environmental category during operation acc. to IEC 60721</b>	3K6, 3C3, 3S2, 3M6

#### Installation/ mounting/ dimensions:

<b>Height</b>	29.5 mm
<b>Width</b>	29.5 mm
<b>Shape of the installation opening</b>	round
<b>Mounting diameter</b>	22 mm
<b>Mounting height</b>	11 mm
<b>Installation width</b>	29.5 mm
<b>Installation depth</b>	24.3 mm

#### Certificates/ approvals:

Declaration of Conformity

other

[Bestätigungen](#)



EG-Konf.

#### Further information

##### Information- and Downloadcenter (Catalogs, Brochures,...)

<http://www.siemens.com/industrial-controls/catalogs>

##### Industry Mall (Online ordering system)

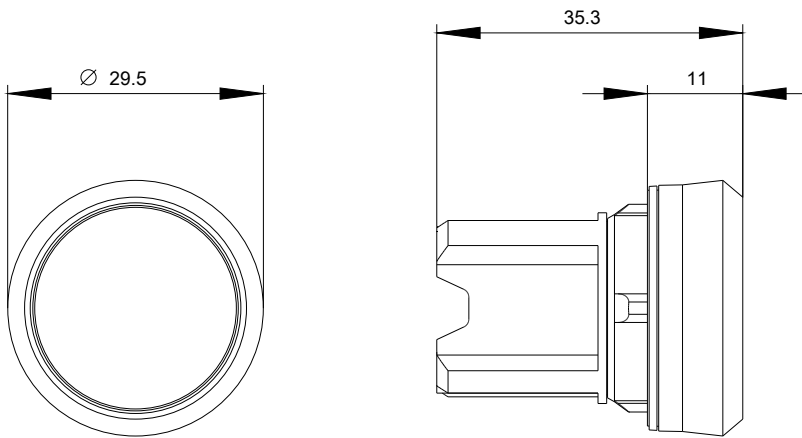
<https://mall.industry.siemens.com/mall/en/en/Catalog/product?mlfb=3SU10510AB400AA0>

##### Cax online generator

<http://support.automation.siemens.com/WW/CAXorder/default.aspx?lang=en&mlfb=3SU10510AB400AA0>

##### Service&Support (Manuals, Certificates, Characteristics, FAQs,...)

<https://support.industry.siemens.com/cs/ww/en/ps/3SU10510AB400AA0>



last modified:

18.09.2015