

EM. STOP MUSHROOM PUSHBUTTON, 22MM, ROUND, METAL, SHINY, RED, 40MM, POSITIVE LATCHING, ROTATE TO UNLATCH



Figure similar

product brand name	SIRIUS ACT
Product designation	Commanding and signaling devices

Actuator:	
Manner of function of the actuating element	Latching
Product expansion optional Light source	No
Color	
• of the actuating element	Red
Material of the actuating element	plastic
Shape of the actuating element	round
Outer diameter of the actuating element	40 mm
Type of unlocking device	rotate-to-unlatch mechanism
Number of switching positions	2

Front ring:	
Product component front ring	No

General technical data:	
Product function	
• positive opening	Yes
• EMERGENCY OFF function	Yes

• EMERGENCY STOP function	Yes
Protection class IP	IP66, IP67, IP69(IP69K)
Shock resistance	
• acc. to IEC 60068-2-27	Sinusoidal half-wave 50 g / 11 ms
Vibration resistance	
• acc. to IEC 60068-2-6	10 ... 500 Hz: 5g
Operating frequency maximum	600 1/h
Mechanical service life (switching cycles)	
• typical	300 000
Equipment marking	
• acc. to DIN EN 61346-2	S
• acc. to DIN EN 81346-2	S

Safety related data:

B10 value with high demand rate acc. to SN 31920	100 000
---	---------

Ambient conditions:

Ambient temperature	
• during operation	-25 ... +70 °C
• during storage	-40 ... +80 °C
Environmental category during operation acc. to IEC 60721	3K6, 3C3, 3S2, 3M6

Installation/ mounting/ dimensions:

Shape of the installation opening	round
Mounting diameter	22 mm
Mounting height	45.3 mm
Installation width	40 mm
Installation depth	26.3 mm

Certificates/ approvals:

For use in hazardous locations	Declaration of Conformity	other
---------------------------------------	----------------------------------	--------------

[Herstellereklärung](#)

[Bestätigungen](#)



EG-Konf.

Further information

Information- and Downloadcenter (Catalogs, Brochures,...)

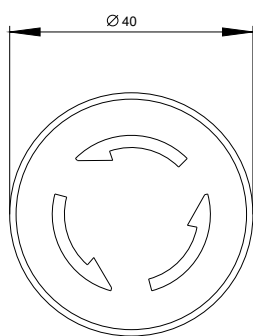
<http://www.siemens.com/industrial-controls/catalogs>

Industry Mall (Online ordering system)

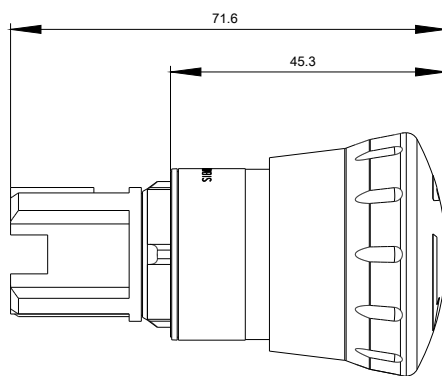
<http://www.siemens.com/industrymall>

Cax online generator

<http://support.automation.siemens.com/WW/CAXorder/default.aspx?lang=en&mlfb=3SU10501HB200AA0>



last modified:



19.08.2015