

PUSHBUTTON, 22MM, ROUND, METAL, SHINY, GREEN, FLAT
BUTTON, LATCHING, PUSH TO UNLATCH



Figure similar

product brand name	SIRIUS ACT
Product designation	Commanding and signaling devices
Design of the product	Pushbutton

Actuator:

Design of the operating mechanism	pushbutton with flat button
Manner of function of the actuating element	Latching
Product expansion optional Light source	No
Color	
• of the actuating element	Green
Material of the actuating element	plastic
Shape of the actuating element	round
Outer diameter of the actuating element	29.5 mm
Type of unlocking device	push-to-unlatch mechanism

Front ring:

Product component front ring	Yes
Design of the front ring	Standard
Material of the front ring	Metal, high gloss
Color of the front ring	silver

General technical data:

Protection class IP	IP66, IP67, IP69(IP69K)
Shock resistance <ul style="list-style-type: none">• acc. to IEC 60068-2-27	Sinusoidal half-wave 50 g / 11 ms
Vibration resistance <ul style="list-style-type: none">• acc. to IEC 60068-2-6	10 ... 500 Hz: 5g
Operating frequency maximum	1 800 1/h
Mechanical service life (switching cycles) <ul style="list-style-type: none">• typical	500 000
Equipment marking <ul style="list-style-type: none">• acc. to DIN EN 61346-2• acc. to DIN EN 81346-2	S S

Ambient conditions:

Ambient temperature <ul style="list-style-type: none">• during operation• during storage	-25 ... +70 °C -40 ... +80 °C
Environmental category during operation acc. to IEC 60721	3K6, 3C3, 3S2, 3M6

Installation/ mounting/ dimensions:

Height	29.5 mm
Width	29.5 mm
Shape of the installation opening	round
Mounting diameter	22 mm
Mounting height	11 mm
Installation width	29.5 mm
Installation depth	24.3 mm

Certificates/ approvals:

For use in hazardous locations	other
Herstellereklärung	Bestätigungen

Further information

Information- and Downloadcenter (Catalogs, Brochures,...)

<http://www.siemens.com/industrial-controls/catalogs>

Industry Mall (Online ordering system)

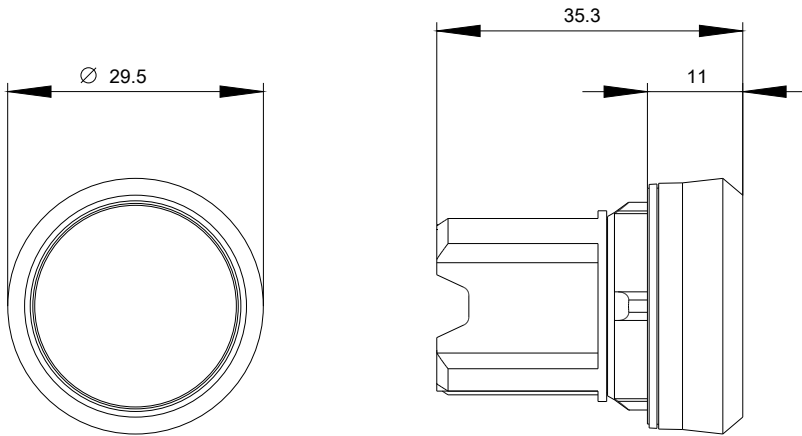
<http://www.siemens.com/industrymall>

Cax online generator

<http://support.automation.siemens.com/WW/CAXorder/default.aspx?lang=en&mfb=3SU10500AA400AA0>

Service&Support (Manuals, Certificates, Characteristics, FAQs,...)

<https://support.industry.siemens.com/cs/ww/en/ps/3SU10500AA400AA0>



last modified:

25.08.2015