

SELECTOR SWITCH, CAN BE ILLUM., 22MM, ROUND, PLASTIC, GREEN, SHORT SELECTOR SWITCH, 3 SWITCH POSITIONS I-O-II, MOMENTARY CONTACT TYPE, ACTUATING ANGLE 2X45 DEG., 10:30H/12H/13:30H



Figure similar

product brand name	SIRIUS ACT
Product designation	Control and signaling units
Design of the product	Selector switch

Actuator:	
Design of the operating mechanism	Selector switch, short black handle
Manner of function of the actuating element	momentary contact type, 2x45° (10:30h/12h/13:30h), retraction on both sides
Product expansion optional Light source	Yes
Color of the actuating element	Green
Material of the actuating element	plastic
Shape of the actuating element	Handle
Outer diameter of the actuating element	32.3 mm
Number of switching positions	3
Actuating angle	
• clockwise	45°
• anticlockwise	45°

Front ring:	
Product component front ring	Yes
Design of the front ring	standard

Material of the front ring	plastic
Color of the front ring	black
General technical data:	
Protection class IP	IP66, IP67, IP69(IP69K)
Shock resistance	Sinusoidal half-wave 50 g / 11 ms
<ul style="list-style-type: none"> • acc. to IEC 60068-2-27 • for railway applications acc. to DIN EN 61373 	Category 1, Class B
Vibration resistance	10 ... 500 Hz: 5g
<ul style="list-style-type: none"> • acc. to IEC 60068-2-6 • for railway applications acc. to DIN EN 61373 	Category 1, Class B
Operating frequency maximum	1 800 1/h
Mechanical service life (switching cycles)	
<ul style="list-style-type: none"> • typical 	1 000 000
Equipment marking	
<ul style="list-style-type: none"> • acc. to DIN EN 61346-2 • acc. to DIN EN 81346-2 	S S

Ambient conditions:

Ambient temperature	
<ul style="list-style-type: none"> • during operation • during storage 	-25 ... +70 °C -40 ... +80 °C

Installation/ mounting/ dimensions:

Height	32.3 mm
Width	32.3 mm
Shape of the installation opening	round
Mounting diameter	22 mm
Mounting height	28.8 mm
Installation width	32.3 mm
Installation depth	25.4 mm

Certificates/ approvals:

For use in hazardous locations	other
Herstellererklärung	Bestätigungen

Further information

Information- and Downloadcenter (Catalogs, Brochures,...)

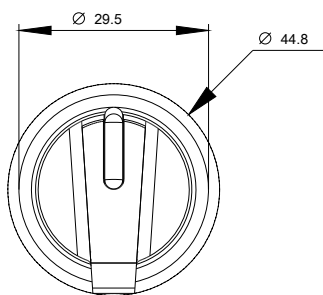
<http://www.siemens.com/industrial-controls/catalogs>

Industry Mall (Online ordering system)

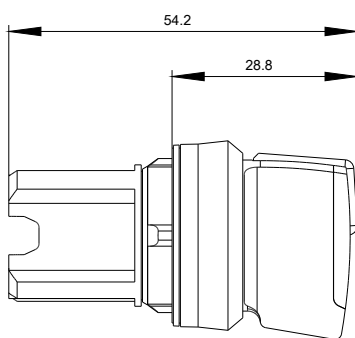
<http://www.siemens.com/industrymall>

Cax online generator

<http://support.automation.siemens.com/WW/CAXorder/default.aspx?lang=en&mlfb=3SU10022BM400AA0>



last modified:



25.08.2015