

SELECTOR SWITCH, CAN BE ILLUM., 22MM, ROUND, PLASTIC, GREEN, SHORT SELECTOR SWITCH, 2 SWITCH POSITIONS O-I, LATCHING, ACTUATING ANGLE 90 DEG., 10:30H/13:30H



Figure similar

|                       |                             |
|-----------------------|-----------------------------|
| product brand name    | SIRIUS ACT                  |
| Product designation   | Control and signaling units |
| Design of the product | Selector switch             |

| Actuator:                                   |                                     |
|---|-------------------------------------|
| Design of the operating mechanism           | Selector switch, short black handle |
| Manner of function of the actuating element | maintained, 90° (10:30h/13:30h)     |
| Product expansion optional Light source     | Yes                                 |
| Color of the actuating element              | Green                               |
| Material of the actuating element           | plastic                             |
| Shape of the actuating element              | Handle                              |
| Outer diameter of the actuating element     | 32.3 mm                             |
| Number of switching positions               | 2                                   |
| Actuating angle                             |                                     |
| • clockwise                                 | 90°                                 |

| Front ring:                  |          |
|------------------------------|----------|
| Product component front ring | Yes      |
| Design of the front ring     | standard |
| Material of the front ring   | plastic  |
| Color of the front ring      | black    |

**General technical data:**

|   |  |
|---|--|
| <b>Protection class IP</b>  | IP66, IP67, IP69(IP69K)                                  |
| <b>Shock resistance</b> <ul style="list-style-type: none"><li>• acc. to IEC 60068-2-27</li><li>• for railway applications acc. to DIN EN 61373</li></ul>    | Sinusoidal half-wave 50 g / 11 ms<br>Category 1, Class B |
| <b>Vibration resistance</b> <ul style="list-style-type: none"><li>• acc. to IEC 60068-2-6</li><li>• for railway applications acc. to DIN EN 61373</li></ul> | 10 ... 500 Hz: 5g<br>Category 1, Class B                 |
| <b>Operating frequency maximum</b>  | 1 800 1/h  |
| <b>Mechanical service life (switching cycles)</b> <ul style="list-style-type: none"><li>• typical</li></ul>   | 1 000 000  |
| <b>Equipment marking</b> <ul style="list-style-type: none"><li>• acc. to DIN EN 61346-2</li><li>• acc. to DIN EN 81346-2</li></ul>                          | S<br>S   |

**Ambient conditions:**

|  |                                  |
|--|----------------------------------|
| <b>Ambient temperature</b> <ul style="list-style-type: none"><li>• during operation</li><li>• during storage</li></ul> | -25 ... +70 °C<br>-40 ... +80 °C |
|--|----------------------------------|

**Installation/ mounting/ dimensions:**

|  |         |
|--|---------|
| <b>Height</b>                            | 32.3 mm |
| <b>Width</b>                             | 32.3 mm |
| <b>Shape of the installation opening</b> | round   |
| <b>Mounting diameter</b>                 | 22 mm   |
| <b>Mounting height</b>                   | 28.8 mm |
| <b>Installation width</b>                | 32.3 mm |
| <b>Installation depth</b>                | 25.4 mm |

**Certificates/ approvals:**

| For use in hazardous locations      | other                         |
|-------------------------------------|-------------------------------|
| <a href="#">Herstellererklärung</a> | <a href="#">Bestätigungen</a> |

**Further information**

**Information- and Downloadcenter (Catalogs, Brochures,...)**

<http://www.siemens.com/industrial-controls/catalogs>

**Industry Mall (Online ordering system)**

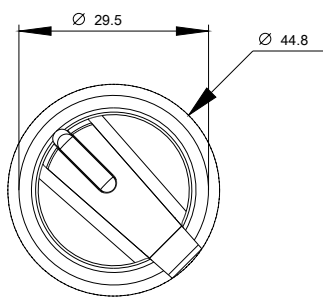
<http://www.siemens.com/industrymall>

**Cax online generator**

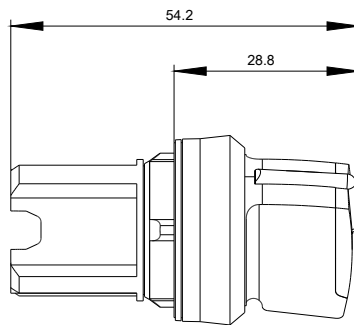
<http://support.automation.siemens.com/WW/CAXorder/default.aspx?lang=en&mlfb=3SU10022BF400AA0>

**Service&Support (Manuals, Certificates, Characteristics, FAQs,...)**

<https://support.industry.siemens.com/cs/ww/en/ps/3SU10022BF400AA0>



last modified:



25.08.2015