

MUSHROOM PUSHBUTTON, 22MM, ROUND, PLASTIC, GREEN,
30MM, MOMENTARY CONTACT TYPE



Figure similar

product brand name	SIRIUS ACT
Product designation	Commanding and signaling devices
Design of the product	Mushroom pushbutton

Actuator:	
Design of the operating mechanism	mushromm pushbutton
Manner of function of the actuating element	Momentary contact type
Product expansion optional Light source	No
Color	
• of the actuating element	Green
Material of the actuating element	plastic
Shape of the actuating element	round
Outer diameter of the actuating element	30 mm
Type of unlocking device	without
Number of switching positions	2

Front ring:	
Product component front ring	Yes
Design of the front ring	Standard
Material of the front ring	plastic
Color of the front ring	black

General technical data:

Product function <ul style="list-style-type: none">• EMERGENCY OFF function• EMERGENCY STOP function	No No
Protection class IP	IP66, IP67, IP69(IP69K)
Shock resistance <ul style="list-style-type: none">• acc. to IEC 60068-2-27• for railway applications acc. to DIN EN 61373	Sinusoidal half-wave 50 g / 11 ms Category 1, Class B
Vibration resistance <ul style="list-style-type: none">• acc. to IEC 60068-2-6• for railway applications acc. to DIN EN 61373	10 ... 500 Hz: 5g Category 1, Class B
Operating frequency maximum	3 600 1/h
Mechanical service life (switching cycles) <ul style="list-style-type: none">• typical	10 000 000
Equipment marking <ul style="list-style-type: none">• acc. to DIN EN 61346-2• acc. to DIN EN 81346-2	S S

Ambient conditions:

Ambient temperature <ul style="list-style-type: none">• during operation• during storage	-25 ... +70 °C -40 ... +80 °C
Environmental category during operation acc. to IEC 60721	3K6, 3C3, 3S2, 3M6

Installation/ mounting/ dimensions:

Height	30 mm
Width	30 mm
Shape of the installation opening	round
Mounting diameter	22 mm
Mounting height	27.5 mm
Installation width	30 mm
Installation depth	24.4 mm

Certificates/ approvals:

For use in hazardous locations	other	Railway
Herstellererklärung	Bestätigungen	Bestätigungen

Further information

Information- and Downloadcenter (Catalogs, Brochures,...)

<http://www.siemens.com/industrial-controls/catalogs>

Industry Mall (Online ordering system)

<http://www.siemens.com/industrymall>

Cax online generator

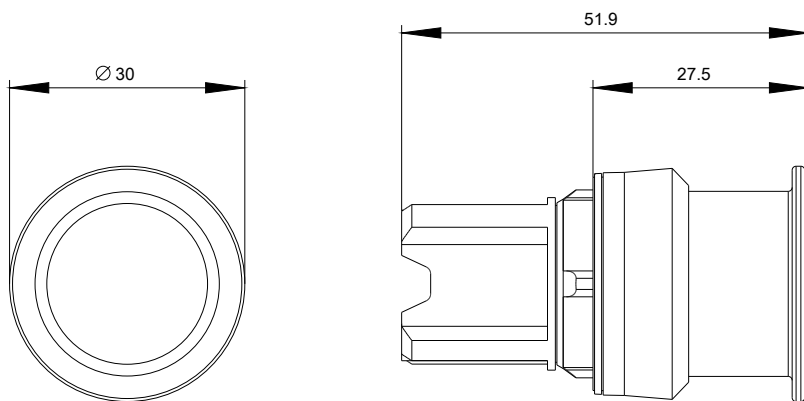
<http://support.automation.siemens.com/WW/CAXorder/default.aspx?lang=en&mfb=3SU10001AD400AA0>

Service&Support (Manuals, Certificates, Characteristics, FAQs,...)

<https://support.industry.siemens.com/cs/ww/en/ps/3SU10001AD400AA0>

Image database (product images, 2D dimension drawings, 3D models, device circuit diagrams, EPLAN macros, ...)

http://www.automation.siemens.com/bilddb/cax_de.aspx?mfb=3SU10001AD400AA0&lang=en



last modified:

13.08.2015