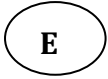




Professionally approved products.

Product Datasheet

RS M400 Series Waterproof Micro pump





RS, Professionally Approved Products, gives you professional quality parts across all products categories. Our range has been testified by engineers as giving comparable quality to that of the leading brands without paying a premium price.

RS-M400 Series Waterproof Micro pump

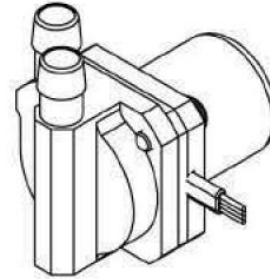
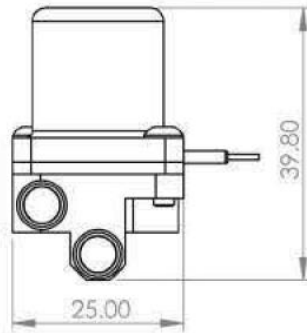
The M400 series of pumps are driven by a brushless drive motor with built in electronic controller. Constructed from precision CNC machined aluminium alloy with stainless steel tubing connectors and fitted with Viton seals as standard. Alternative seal materials and optional wetted part coatings and materials are also available enabling this pump range to resist most chemicals and solvents. The pump uses efficient push fit connectors designed for 6.0mm (S variants) or 3.2mm (K variants) flexible tubing. A 220mm electrical fly-lead is fitted as standard. A feedback wire is included, which can be used optionally, to measure pump speed/output.

Standard features:

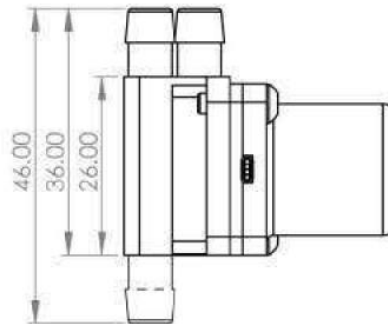
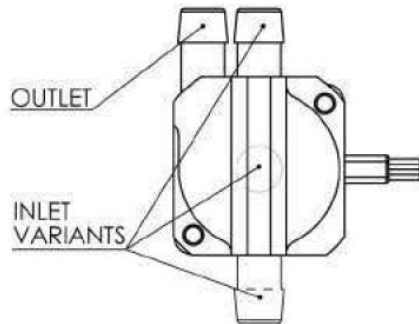
- Brushless drive motor and integral controller
- CNC aluminium alloy construction
- Quiet pulseless smooth flow
- Small size only 28 x 14 x 14 mm
- Weight 24 - 32g
- Free flow up to 2600ml per minute (water, M400S 12V)
- Operating Temp -20 to 100 deg C
- Power by Solar supply, PSU or batteries
- Smooth pulseless flow
- IP Rating IP67
- Noise Levels <3dB
- Wide range of chemical resistance

Typical Applications

- Medical devices
- Fuel Cells
- Battery and Solar Powered Systems
- Cooling Systems
- Low Pressure Fuel Pump
- Lubrication systems



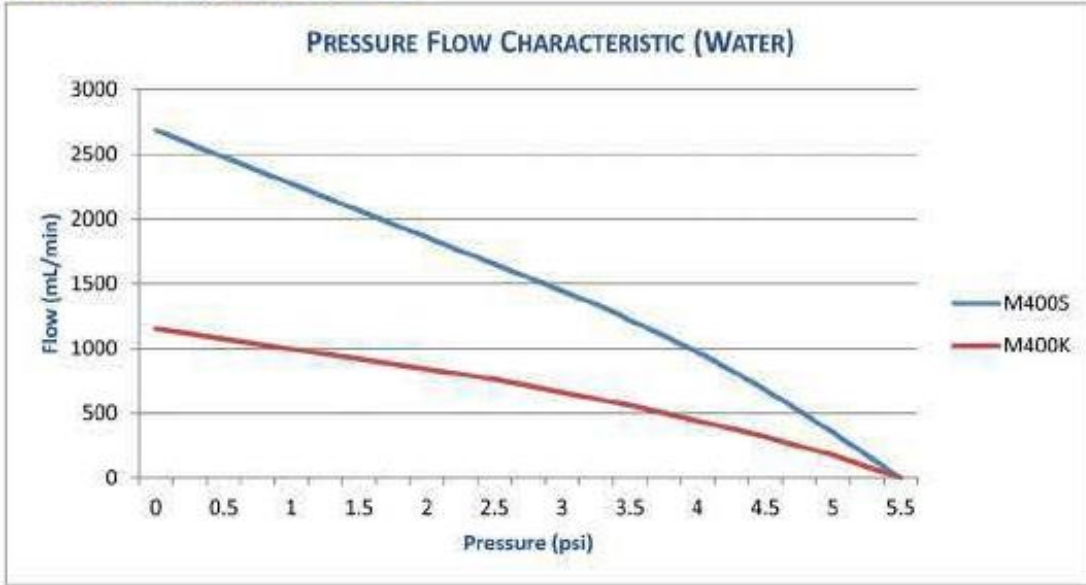
Connectors to suit 6.0mm tube (S variants)
and 3.2mm tube (K variants)



Variant	Input	Power	Flow	Pressure
	(V)	(W)	(ml/min)	(mBar)
M400S	6	1.3	1495	86
	12	7.1	2685	380
M400K	6	1.2	500	86
	12	5.8	1150	380



M400 Performance - 12v



M400 Performance - 6v

