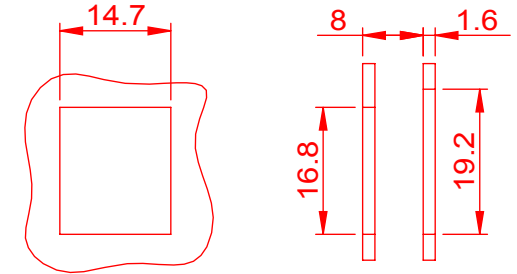


PRODUCTION

SUGGESTED MOUNTING CUTOUT



ACCORDING TO : ANSI/TIA-568-C.2
ISO/IEC 11801 2nd Edition
IEC 60603-7



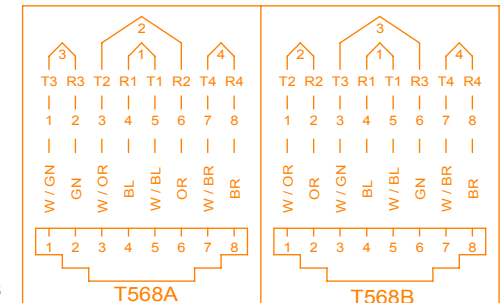
ETL Verified Channel to ANSI/TIA-568-B.2-10 Category 6A Tested for all transmission parameters also including PSANEXT and PSAACRF Measurements Certificate no : 3154740CRT-004d

Cat 6A

56Y4
E145249



COMMUNICATION
CIRCUIT ACCESSORIES



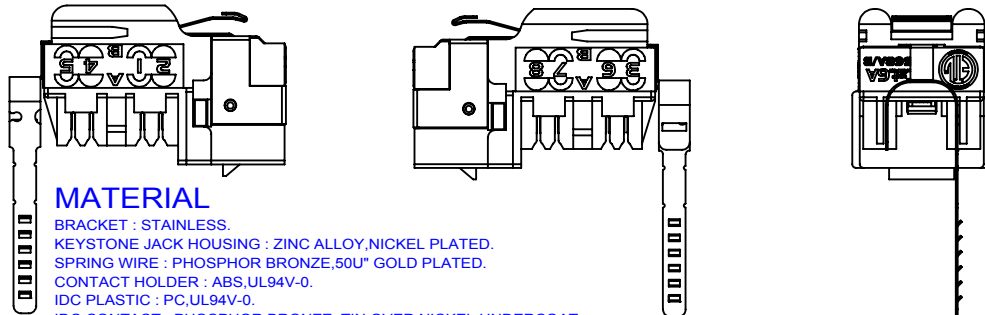
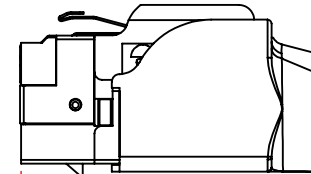
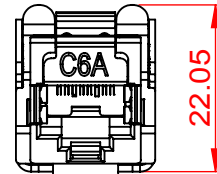
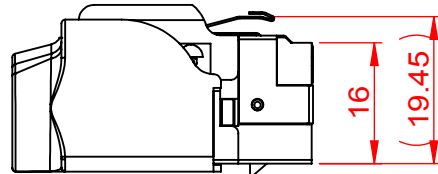
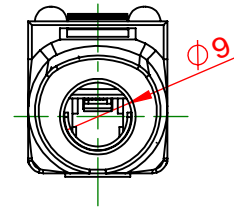
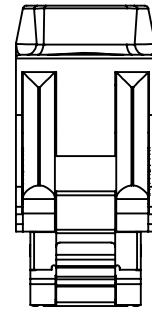
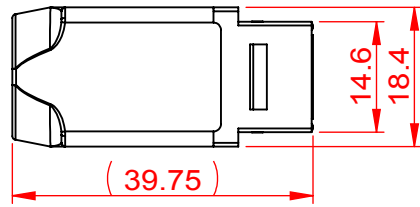
ENCLOSURE

IDC CAP X 1 PC
CASTING COVER X 1 PC



REAR VIEW

8.15



MATERIAL

BRACKET : STAINLESS.
KEYSTONE JACK HOUSING : ZINC ALLOY,NICKEL PLATED.
SPRING WIRE : PHOSPHOR BRONZE,50U" GOLD PLATED.
CONTACT HOLDER : ABS,UL94V-0.
IDC PLASTIC : PC,UL94V-0.
IDC CONTACT : PHOSPHOR BRONZE ,TIN OVER NICKEL UNDERCOAT.

PHYSICAL CHARACTERISTICS

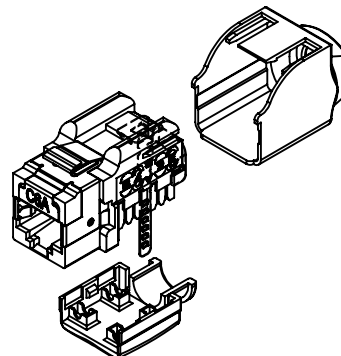
SUITABLE IMPACT TOOL : 110 STYLE PUNCH DOWN TOOL.
INSERTION LIFE : 750 MATING CYCLES WITH FCC COMPLIANT 8P PLUG.
CONTACT FORCE : 100 GRAMS WITH FCC COMPLIANT 8P PLUG.
PLUG RETENTION FORCE : 11 LBF MIN.
DURABILITY : 200 TERMINATION CYCLES.
CONTACT COMPATIBILITY : ACCOMMODATES 22 TO 24 AWG SOLID.
OPERATING TEMPERATURE RANGE : -10°C TO 60°C.
STORAGE TEMPERATURE RANGE : -40°C TO 68°C.
HUMIDITY : 10%~90%RH.

ELECTRICAL

INSULATION RESISTANCE : 500 MΩ.
DIELECTRIC WITHSTANDING VOLTAGE : 1000 V AC.
DC CURRENT RATING : 1.5 Amps.
DC RESISTANCE : 0.1Ω.
CONTACT RESISTANCE : 20mΩ.

NOTE

- WILL NOT SUPPORT CHANNEL SHORTER THAN 15M.
- ONLY ACCEPT RJ-45 8P8C PLUG.



Scale	1:1
3rd Angle Projection	
Unit	mm
Date	2015/6/16
Tolerance	
~20	~50
~150	150~
±0.2	±0.4
±0.5	±1.5
ANGLE	±2°

All Copy Rights Reserved



Quest Technology Int'l, Inc.
11200 NW 138th St., Medley, FL 33178
Tel: 305-513-8683 Fax: 305-513-9075
www.QuestTechnologyIntl.com

Title

NKJ-6161
Cat6A Shielded RJ45 Keystone Jack, 8p8c

Drawn by

Zeng

Checked by