

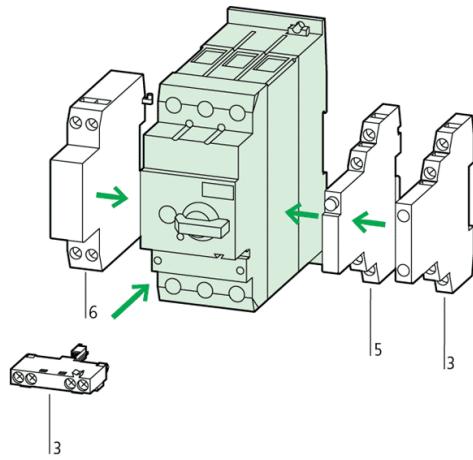
Type: **PKZM4-25**
 Article No.: **222352**



Ordering information

Connection technique			Screw terminals
Motor rating AC-3 220 V 230 V 240 V	<i>P</i>	kW	5.5
Motor rating AC-3 380 V 400 V 415 V	<i>P</i>	kW	12.5
Motor rating AC-3 440 V	<i>P</i>	kW	12.5
Motor rating AC-3 500 V	<i>P</i>	kW	15
Motor rating AC-3 690 V	<i>P</i>	kW	22
Rated uninterrupted current	I_u	A	25
Setting range			
Overload releases	I_r	A	20 – 25
Short-circuit releases	I_{rm}	A	350

Notes concerning the product group



Accessories

	Page
3 Standard auxiliary contact	→ 072896
5 Trip-indicating auxiliary contact	→ 072898
6 Shunt releases, undervoltage releases	→ 073187

Single-phasing sensitivity to IEC/EN 60947-4-1

Can be snap fitted to an IEC/EN 60715 top-hat rail, height 7.5 or 15 mm

Devices for world markets IEC \triangleq UL/CSA, ATEX applied for

General

Standards			UL 508 (on request) CSA C 22.2 No. 14 (on request)
Climatic proofing			Damp heat, constant, to IEC 60068-2-78 Damp heat, cyclic, to IEC 60068-2-30
Ambient temperature			
Storage		°C	-25/+70
Open		°C	-25/55
Enclosed		°C	-25/40
Direction of incoming supply			As required
Degree of protection			
Device			IP 20
Terminations			IP00
Protection against direct contact			Finger and back-of-hand proof
Mechanical shock resistance half-sinusoidal shock 10 ms to IEC 60068-2-27		g	15

Altitude		m	2000
Terminal capacities			
Solid		mm ²	1 × (1 – 50) 2 × (1 – 35)
Flexible with ferrule		mm ²	1 × (1 – 35) 2 × (1 – 35)
Solid or stranded		AWG	14 – 2
Specified tightening torque for terminal screws			
Main cable		Nm	3
Control circuit cables		Nm	1

Main conducting paths

Rated impulse withstand voltage	U_{imp}	V AC	6000
Overtoltage category/pollution degree			III/3
Rated operational voltage	U_e	V AC	690
Rated uninterrupted current = rated operational current	$I_u = I_e$	A	65 open 63 enclosed
Rated frequency		Hz	40 – 60
Current heat loss (3 pole at operating temperature)		W	22
Lifespan, mechanical	Operations	× 10 ⁶	0,03
Lifespan, electrical	Operations		30000
Maximum operating frequency			
Max. operating frequency		Ops/h	40
Short-circuit rating			
Motor switching capacity			
AC—3		V	Max. 400, for higher voltages, please enquire
DC – 5		V	250/60 kA
DC-5 (up to 250 V)		A	63 (3 contacts in series)

Trip blocks

Temperature compensation to IEC/EN 60947, VDE 0660		°C	–5 – 40
Operating range		°C	–25 – 55
Temperature compensation residual error		%/K	0.25
Setting range of overload releases		× I_u	0,6 – 1
Short-circuit release fixed		× I_u	14
Short-circuit release tolerance		%	± 20

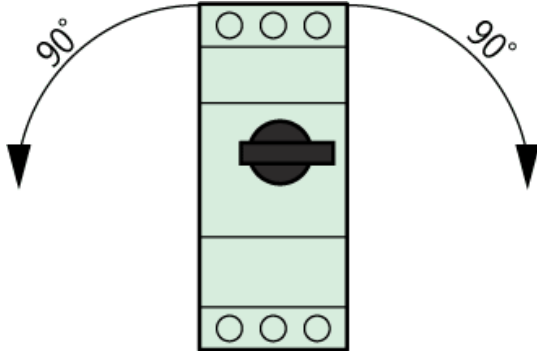
Phase-failure sensitivity

IEC/EN 60947-4-1, VDE
0660 Part 102

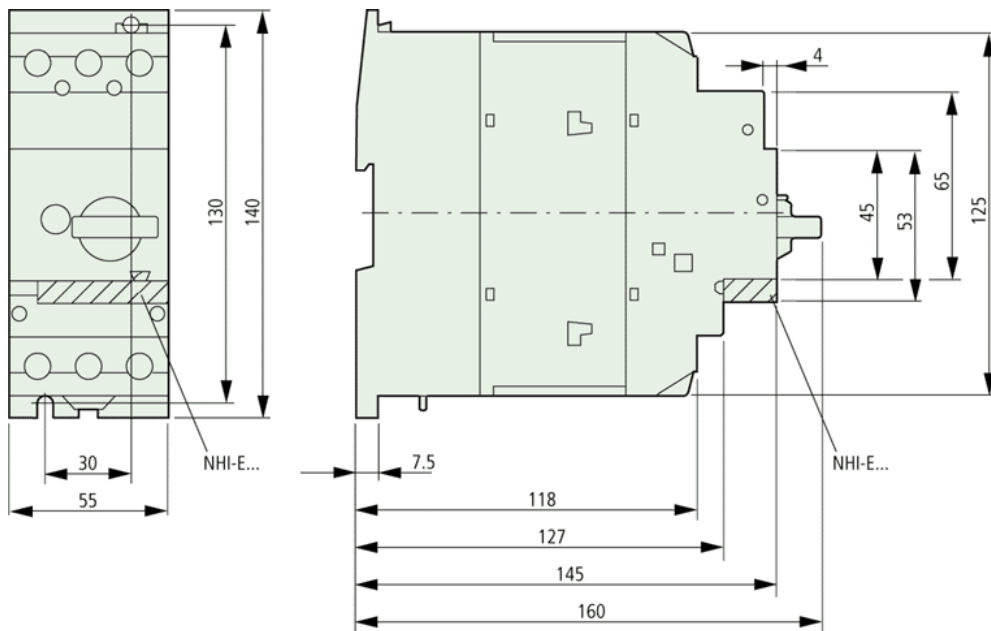
Dimensions

PKZM4-... +AK-PKZO

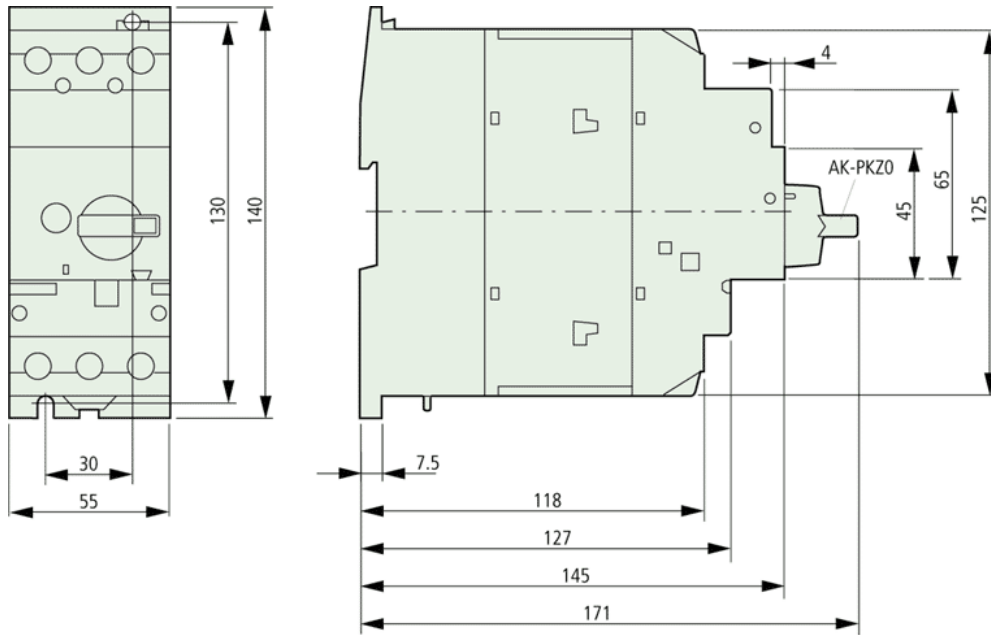
Mounting position



Dimensions



Dimensions



Moeller GmbH, Hein-Moeller-Str. 7-11, D-53115 Bonn
E-Mail: catalog@moeller.net, Internet: www.moeller.net, <http://catalog.moeller.net>
Copyright 2006 by Moeller GmbH. Subject to modifications. HPL-C2006GB-INT V2.3